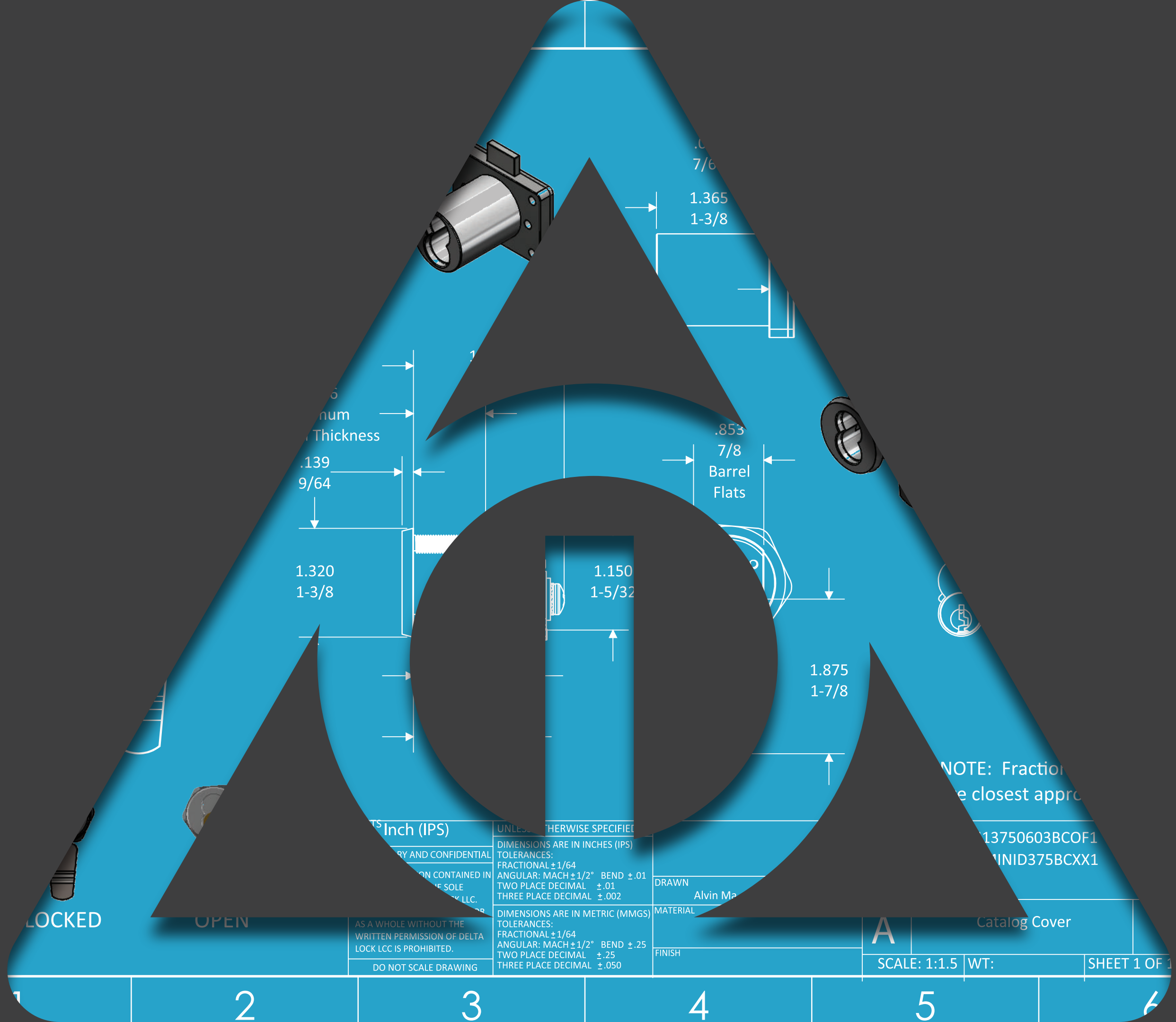


# Delta Lock

V1.1



# The Delta Difference

## Satisfaction

We listen to your needs and requests.  
Caring about customers and employees.  
Service customers to full extent.  
We make sure product is packed and shipped properly.

01

## Quality

We understand your applications and offer products to meet your needs.  
Quality is never compromised.  
Every aspect of business is quality checked.

02

## Design

We keep designing and offering new products.  
Always thinking, inventing, and doing.  
We are experts staying on top to lead the way.  
We are always testing and improving, never resting.

03

## Training

Experience in all aspects of our business.  
We offer videos for support, training, and installation.  
We make sure you and employees understand features, form, and functions.  
Always willing to teach.

04

## Pricing

We offer programs to meet your needs.  
Best value for quality and service.

05

## Communication

We keep an open dialog between everyone.  
Understand what is being requested and needed.  
We always follow up.

06

07

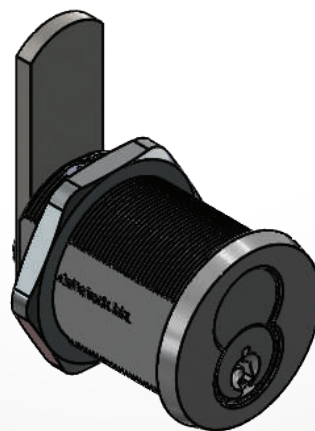
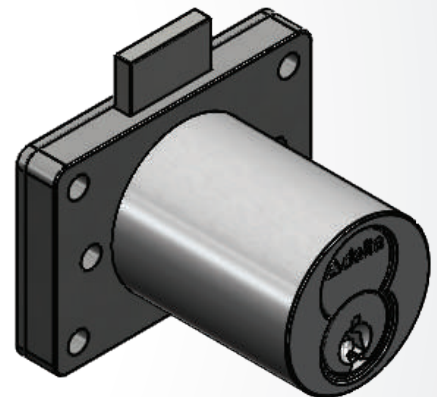
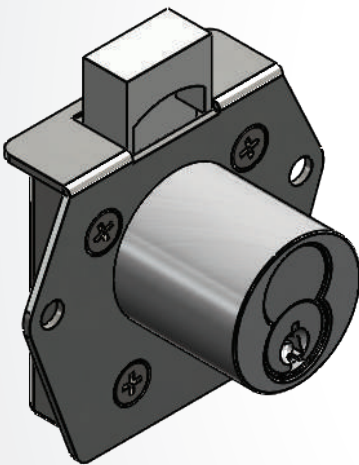
## Experience

We make it happen.  
Maintain inventory levels to support business.  
Willing to do the extra.  
Willing to partner on projects.



*Thank you for  
your business!  
~The Delta Team*

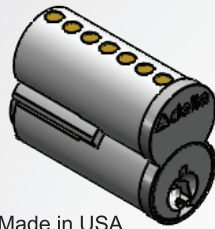
- Small Format Interchangeable Core (SFIC) compatible showcase, cabinet & door hardware locks.
- 1000's of key numbers available in multiple keyway profiles / shapes (keyway letters A thru Q+)
- Standard non-master, master, and grand master systems available.
- Option to key orders alike or key different.
- Brass 7-pin system cores, built to order. 6-pin system cores also available.
- Standard functions: (non-key retaining) 2 keypulls, (key retaining) 1 keypull.
- Standard plating finish: 626 26D Brushed Satin Chrome.



Keyway Options: A, B, C, D, E, F, G, H, J, K, L, M, Q, 1C, 1D, DL10

If ordering replacement keys or cores please specify the keycode / key number after the part number.

\*Use space ( \_ ) in the part numbers below for the keyway options listed above.

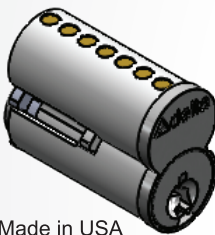
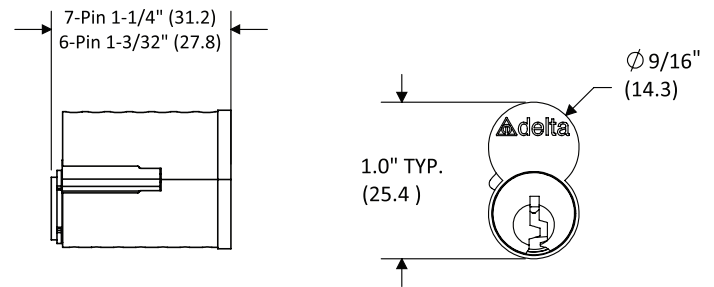


Made in USA

### Standard ICore

**Part Number:**

XICORE7\_BCUNCO

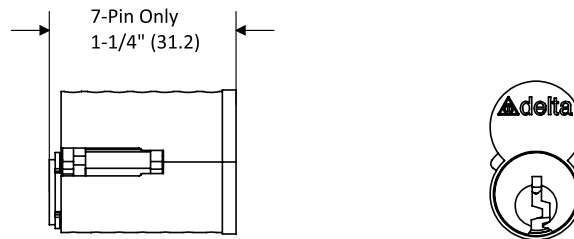


Made in USA

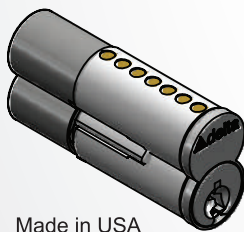
### Split Lug Core

**Part Number:**

XICORE7\_BCUNCO



\* Split Lug & Extended cores for use with GI0500R000BCGL2

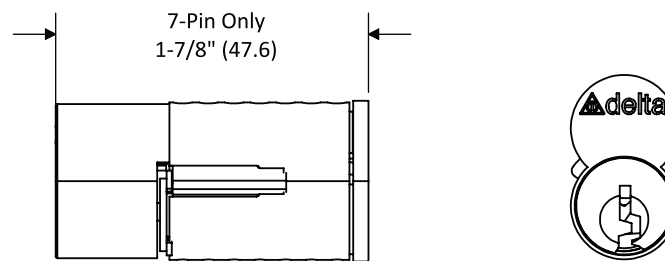


Made in USA

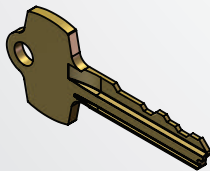
### Extended Core

**Part Number:**

XICOREX7\_BCUNCO



\* Split Lug & Extended cores for use with GI0500R000BCGL2



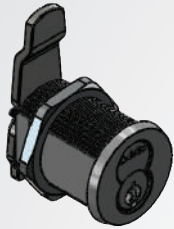
### ICore Keys

**Part Number:**

KEYIOP\_  
KEYIMASTER\_  
KEYICONTROL\_

### Description

Operating Key  
Master Operating Key  
Core Control Key



## Camlock

### Part Number:

CI13751203BCOF1

CI13751203BCOF2\*

CI13750609BCOF1

CI13750609BCOF2\*

\* Instakey compatible

Different rotations: 0306, 0912, 1209, etc and other options available, call for part #.

Note: Parenthesis dimensions in (mm)

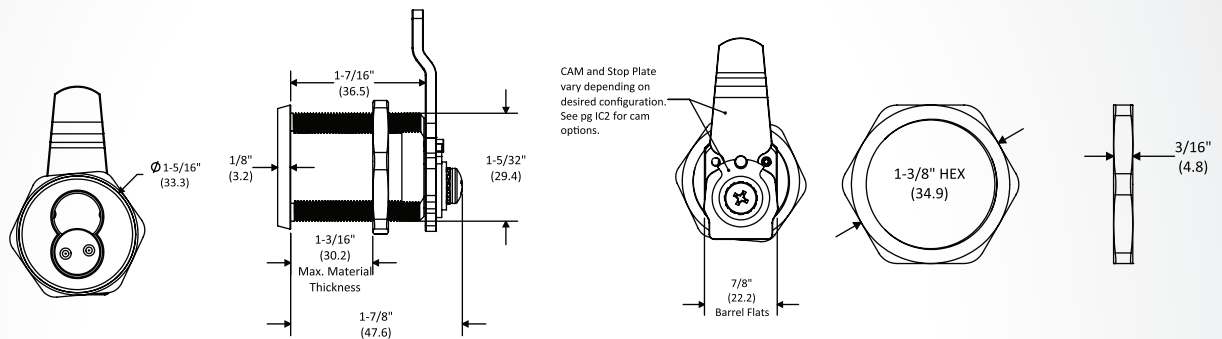
### Keypulls

1

2

1

2



## Easy Mount Camlock

### Part Number:

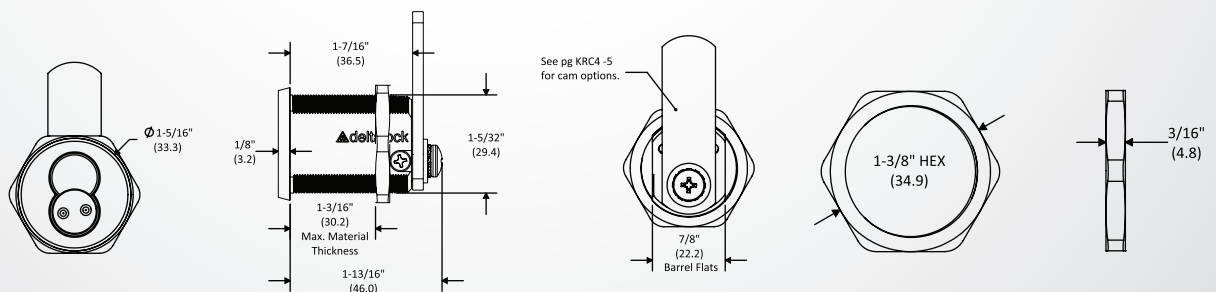
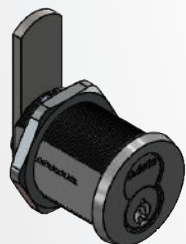
CI13751203BCEM1

### Keypulls

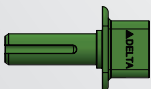
1

Different rotations: 0306, 0912, 1209, etc and other options available, call for part #.

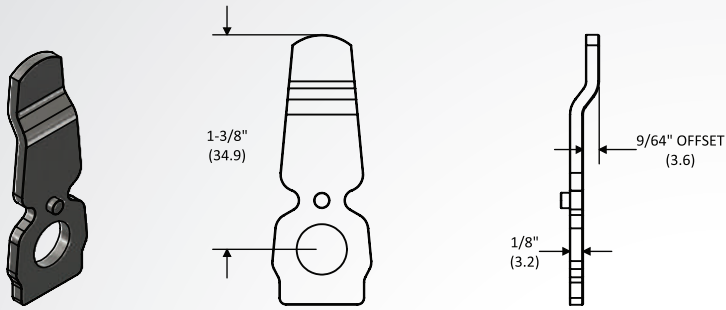
Note: Parenthesis dimensions in (mm)



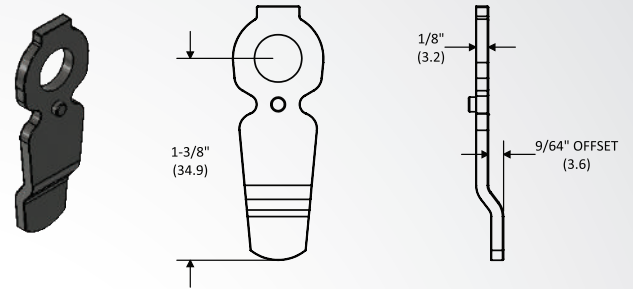
Included in each order.



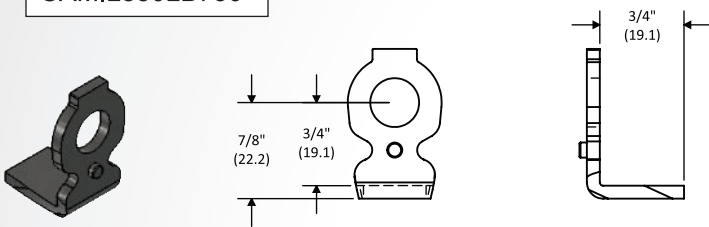
CAMI1203L1875B0140



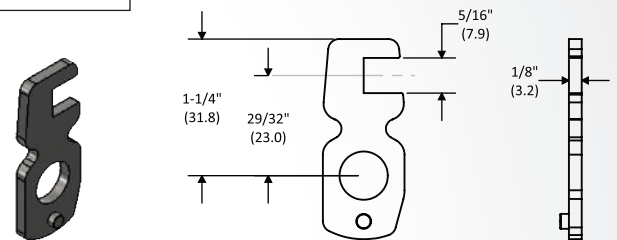
CAMI0609L1875B0140



CAMIL830LB750



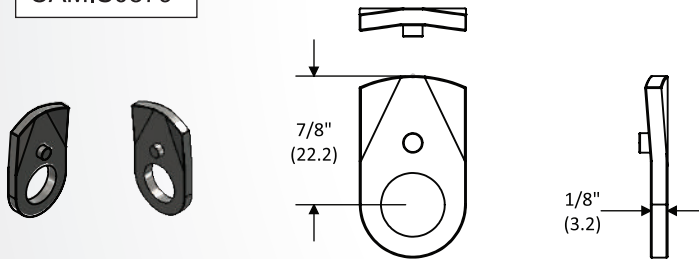
CAMIH1062



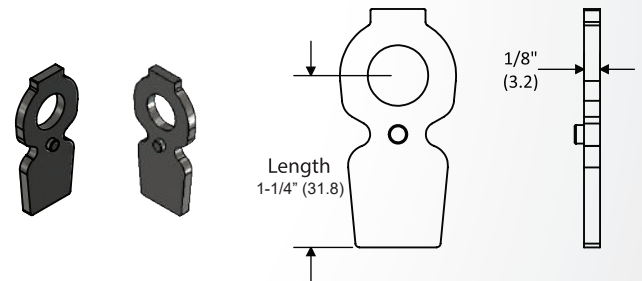
Note: CAMIL830LB750 designed for rotations 0603 and 0609.

Note: CAMIH1062 designed to be locked at 9 o'clock and open at 12 o'clock.

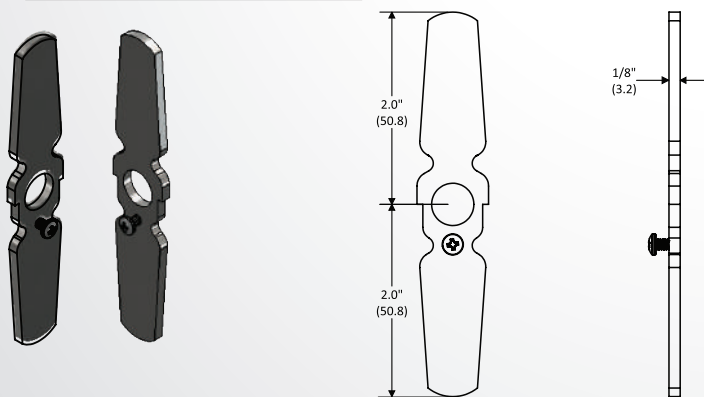
CAMIS0879



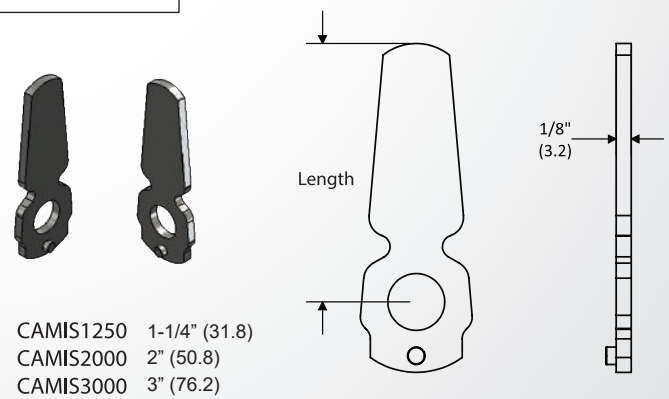
CAMI0609S1250



CAMI0609DOUBLE2000

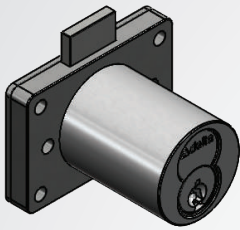


CAMISXXXX



- CAMIS1250 1-1/4" (31.8)
- CAMIS2000 2" (50.8)
- CAMIS3000 3" (76.2)

NOTE: Parenthesis dimensions in (mm)



## Mini Drawer Lock\*

### Part Number:

DIMINID375BCXX1  
 DIMINIE375BCXX1  
 DIMINIX375BCXX1

### Bolt Length

1" (25.4mm)  
 1-1/4" (31.8mm)  
 Custom 2" (50.8mm) Max

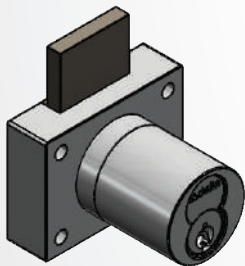
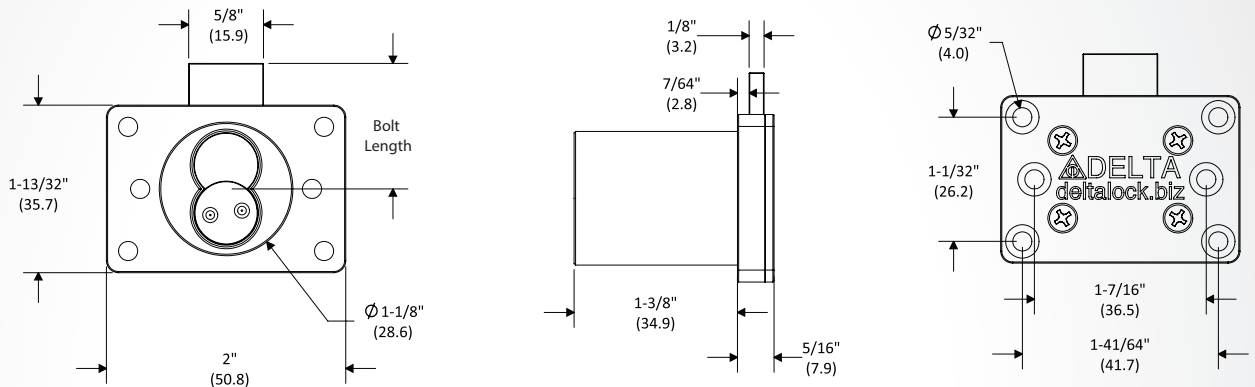
### Keypulls

1  
 1  
 1

Typical bolt throw 5/16" (7.9mm)

Note: Parenthesis dimensions in (mm)

\*Patent Pending



## Drawer Lock Deadbolt "CB"

### Part Number:

DI1344D750BCCB1\*  
 DI1344D750BCCB2\*

### Bolt Length

1-1/2" (38.1mm)  
 1-1/2" (38.1mm)

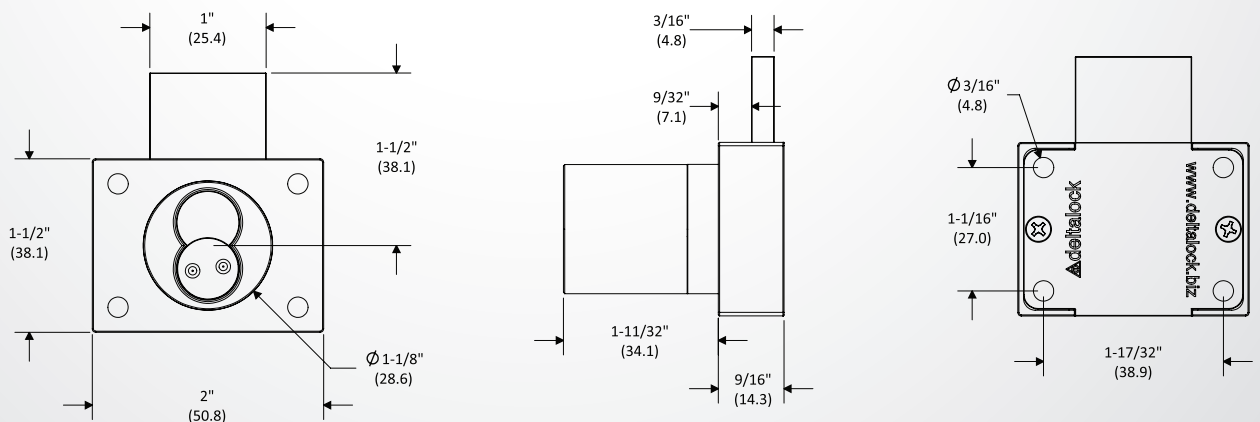
### Keypulls

1  
 2

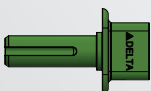
\* Instakey compatible

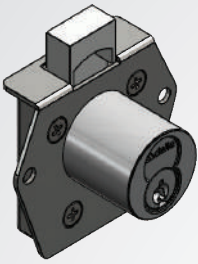
Typical bolt throw 3/4" (19.1mm)

Note: Parenthesis dimensions in (mm)



Included in each order.





Package includes  
(2x) #8 x 5/8"  
Mounting Screws



**Rim Deadbolt Vertical**

**Part Number:**

- DI1125D500BCRV1\*
- DI1125D500BCRV2\*

**Bolt Length**

- 1-3/8" (34.9mm)
- 1-3/8" (34.9mm)

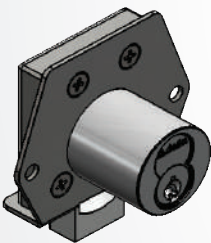
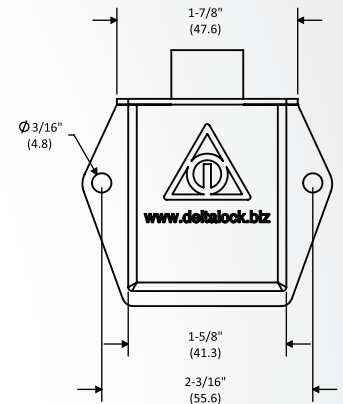
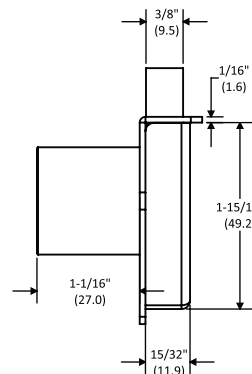
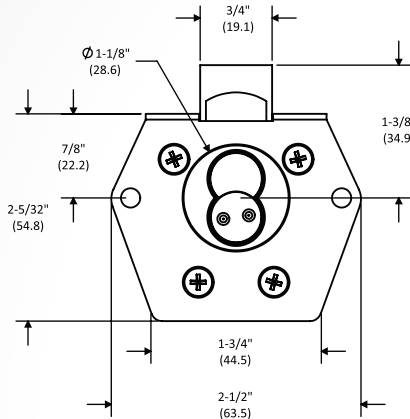
**Keypulls**

- 1
- 2

\* Instakey compatible

Typical bolt throw 1/2"(12.7mm)

Note: Parenthesis dimensions in (mm)



Package includes  
(2x) #8 x 5/8"  
Mounting Screws



**Rim Deadbolt Inverted**

**Part Number:**

- DI1125D500BCRI1\*
- DI1125D500BCRI2\*

**Bolt Length**

- 1-3/8"(34.9mm)
- 1-3/8"(34.9mm)

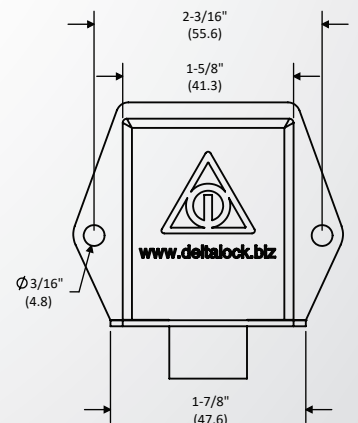
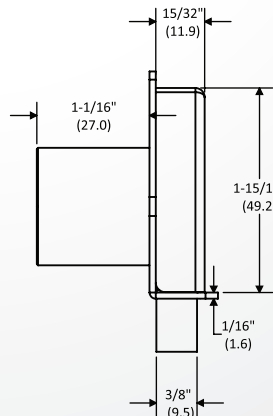
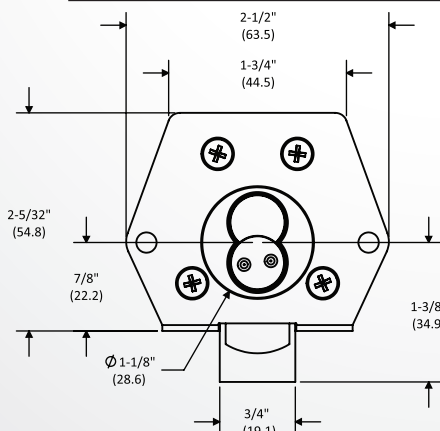
**Keypulls**

- 1
- 2

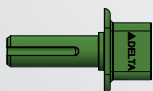
\* Instakey compatible

Typical bolt throw 1/2"(12.7mm)

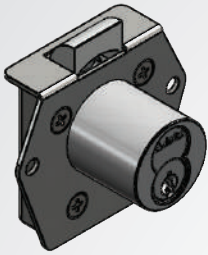
Note: Parenthesis dimensions in (mm)



Included in each order.







Package includes  
(2x) #8 x 5/8"  
Mounting Screws



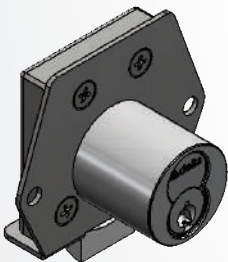
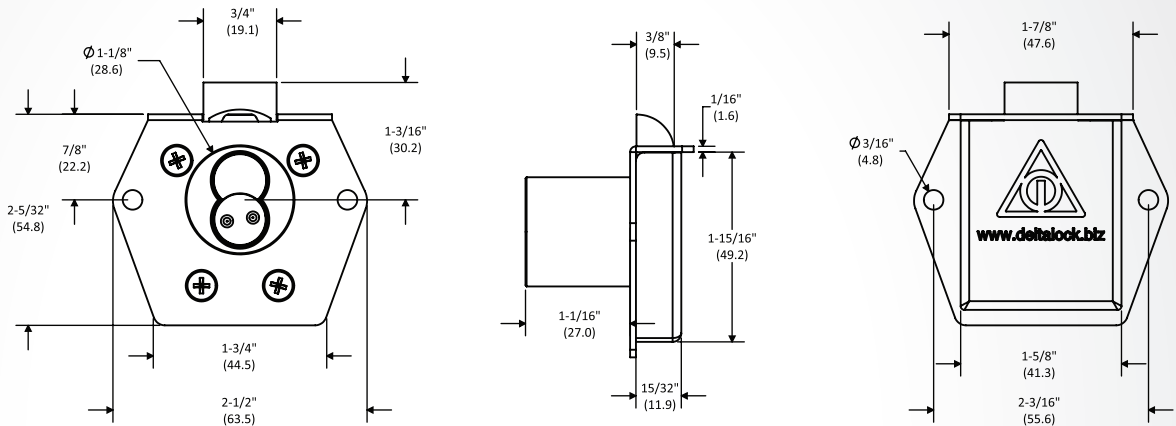
## Rim Latchbolt Vertical

**Part Number:**  
DI1125L375BCRV1

**Bolt Length**  
1-3/16" (30.2mm)

**Keypulls**  
1 non-captive

Typical bolt throw 3/8" (9.5mm)  
Note: Parenthesis dimensions in (mm)



Package includes  
(2x) #8 x 5/8"  
Mounting Screws



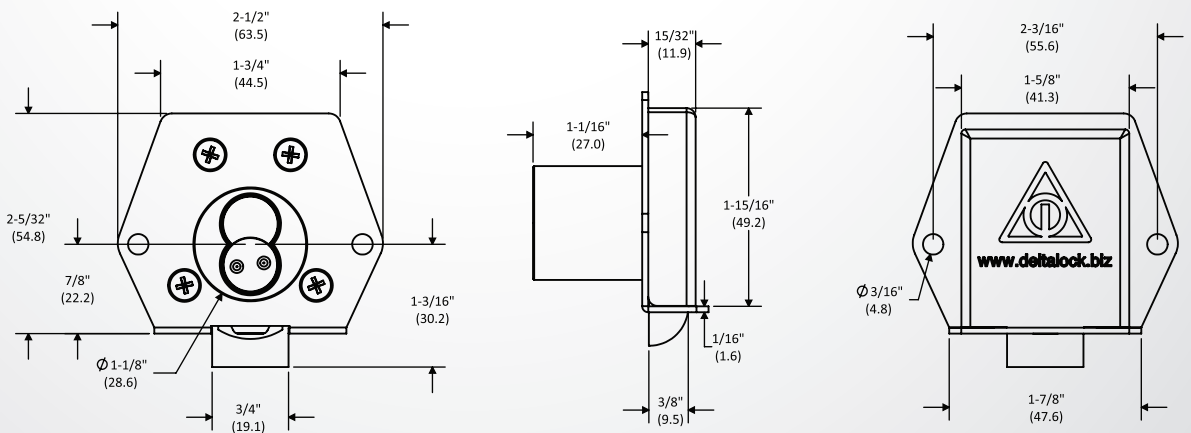
## Rim Latchbolt Inverted

**Part Number:**  
DI1125L375BCRI1

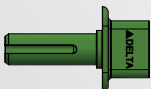
**Bolt Length**  
1-3/16" (30.2mm)

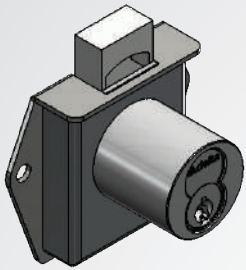
**Keypulls**  
1 non-captive

Typical bolt throw 3/8" (9.5mm)  
Note: Parenthesis dimensions in (mm)

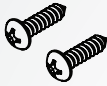


Included in each order.





Package includes  
(2x) #8 x 5/8"  
Mounting Screws



## Mortise Deadbolt Vertical

### Part Number:

DI1125D500BCMV1\*  
DI1125D500BCMV2\*

### Bolt Length

1-3/8" (34.9mm)  
1-3/8" (34.9mm)

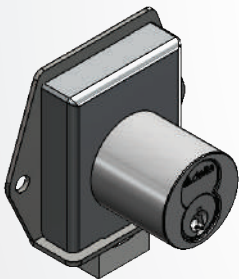
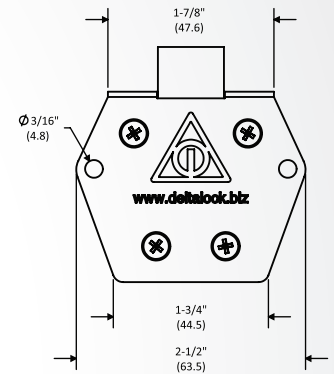
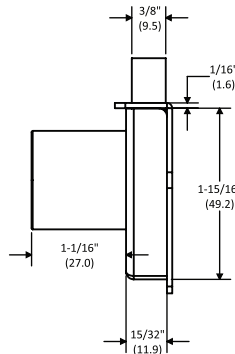
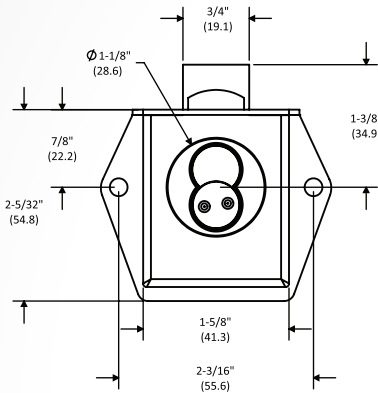
### Keypulls

1  
2

\* Instakey compatible

Typical bolt throw 1/2"(12.7mm)

Note: Parenthesis dimensions in (mm)



Package includes  
(2x) #8 x 5/8"  
Mounting Screws



## Mortise Deadbolt Inverted

### Part Number:

DI1125D500BCMI1\*  
DI1125D500BCMI2\*

### Bolt Length

1-3/8" (34.9mm)  
1-3/8" (34.9mm)

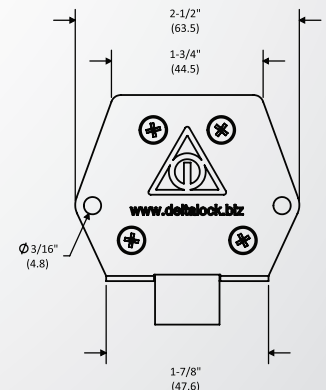
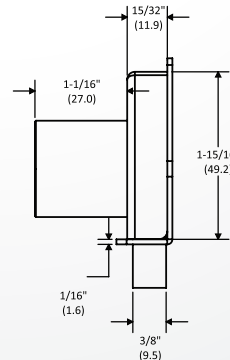
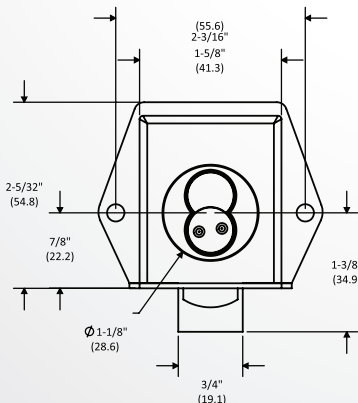
### Keypulls

1  
2

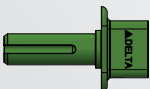
\* Instakey compatible

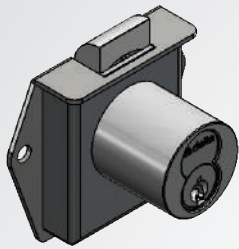
Typical bolt throw 1/2"(12.7mm)

Note: Parenthesis dimensions in (mm)



Included in each order.





Package includes  
(2x) #8 x 5/8"  
Mounting Screws



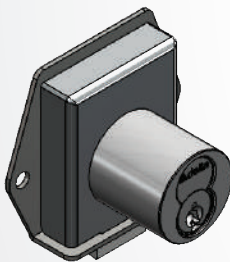
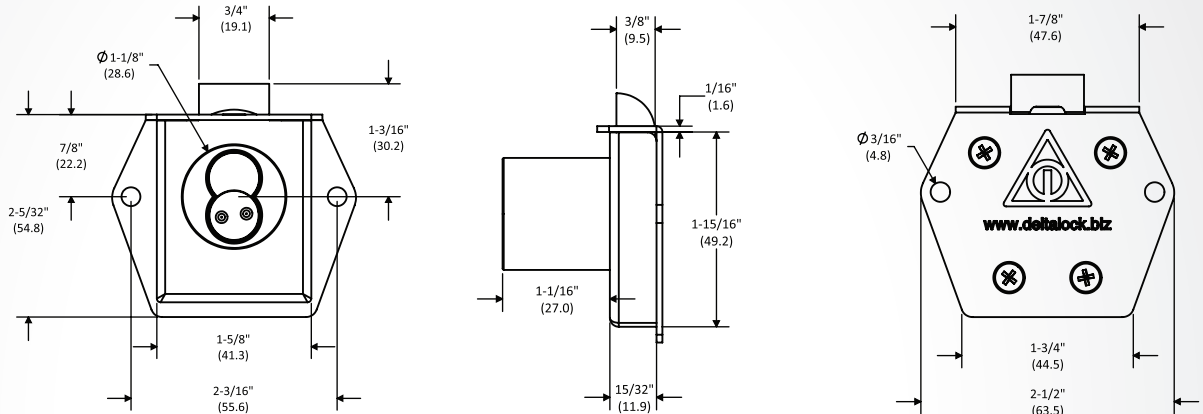
## Mortise Latchbolt Vertical

**Part Number:**  
DI1125L375BCMV1

**Bolt Length**  
1-3/16" (30.2mm)

**Keypulls**  
1 non-captive

Typical bolt throw 3/8" (9.5mm)  
Note: Parenthesis dimensions in (mm)



Package includes  
(2x) #8 x 5/8"  
Mounting Screws



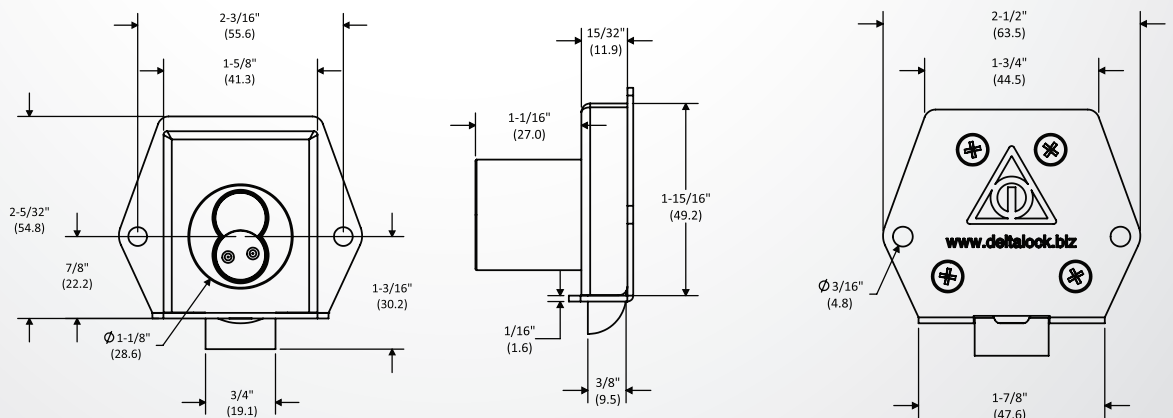
## Mortise Latchbolt Inverted

**Part Number:**  
DI1125L375BCMI1

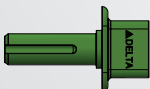
**Bolt Length**  
1-3/16" (30.2mm)

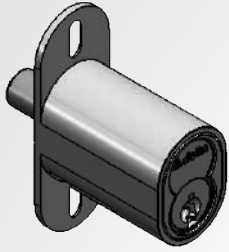
**Keypulls**  
1 non-captive

Typical bolt throw 3/8" (9.5mm)  
Note: Parenthesis dimensions in (mm)



Included in each order.





**Mini Plunger lock**

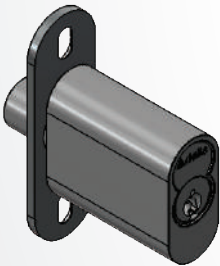
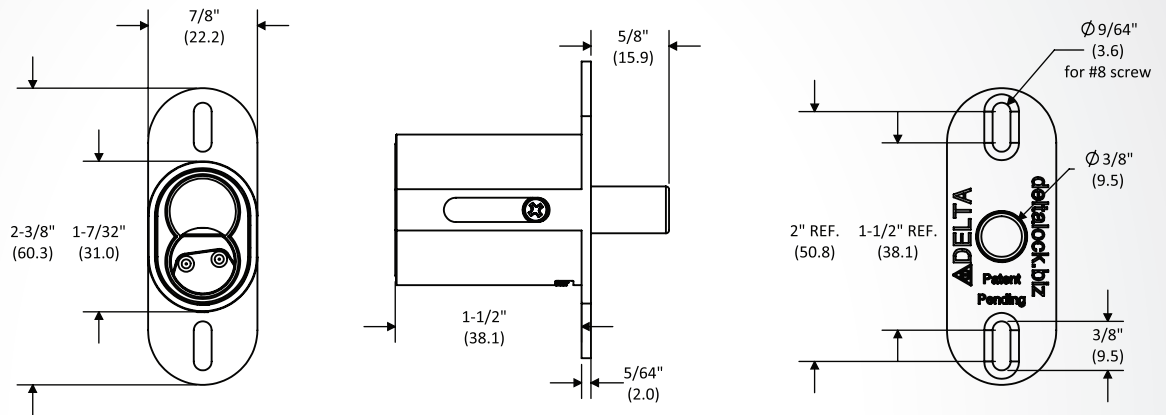
**Part Number:**  
SI1500R625BCAM1

**Bolt Length**  
5/8" (15.9mm)

**Keypulls**  
1

Note: Parenthesis dimensions in (mm)

\*Patent Pending



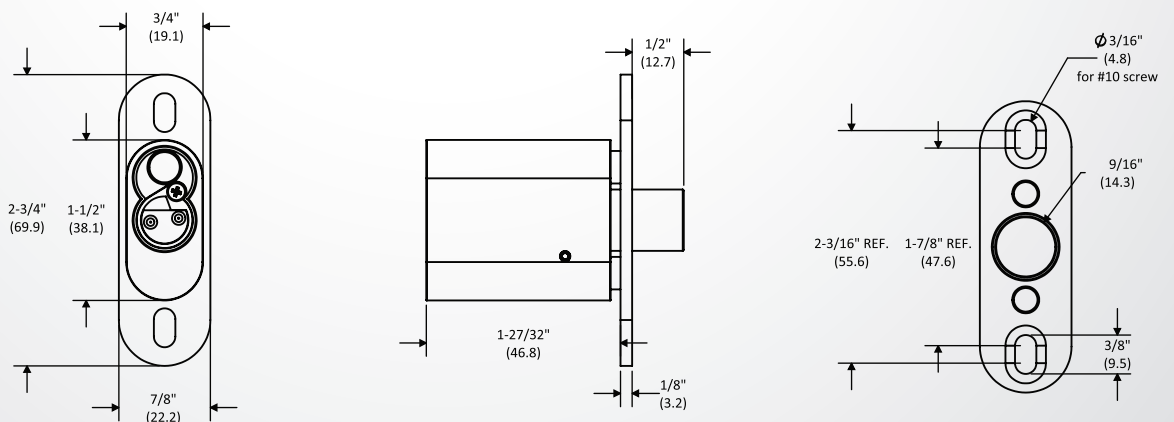
**Plunger lock**

**Part Number:**  
SI1750R500BCXX2

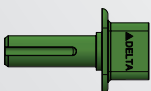
**Bolt Length**  
1/2" (12.7mm)

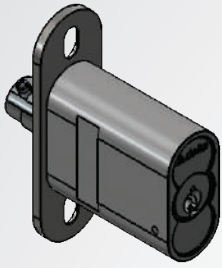
**Keypulls**  
2

Note: Parenthesis dimensions in (mm)



Included in each order.

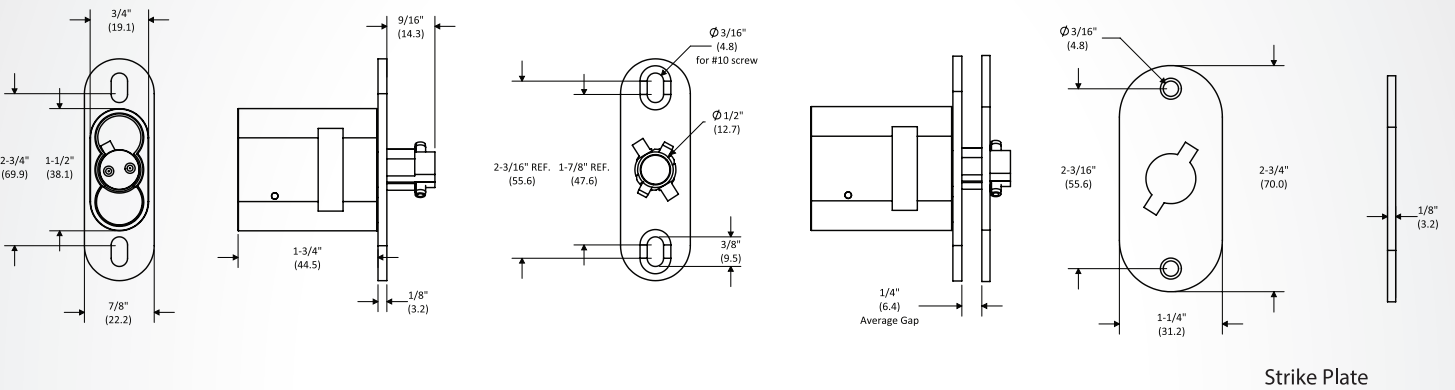




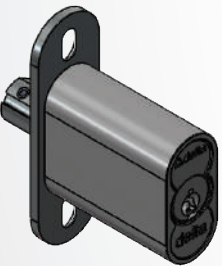
**T-Bolt Plunger Lock**

|   |  |                           |
|---|--|---------------------------|
| <b>Part Number:</b><br>SI1750T250BCXX1*<br>SI1750T250BCXX2* | <b>Bolt Length</b><br>9/16" (14.3mm)<br>9/16" (14.3mm) | <b>Keypulls</b><br>1<br>2 |
|---|--|---------------------------|

\* Instakey compatible  
Note: Parenthesis dimensions in (mm)



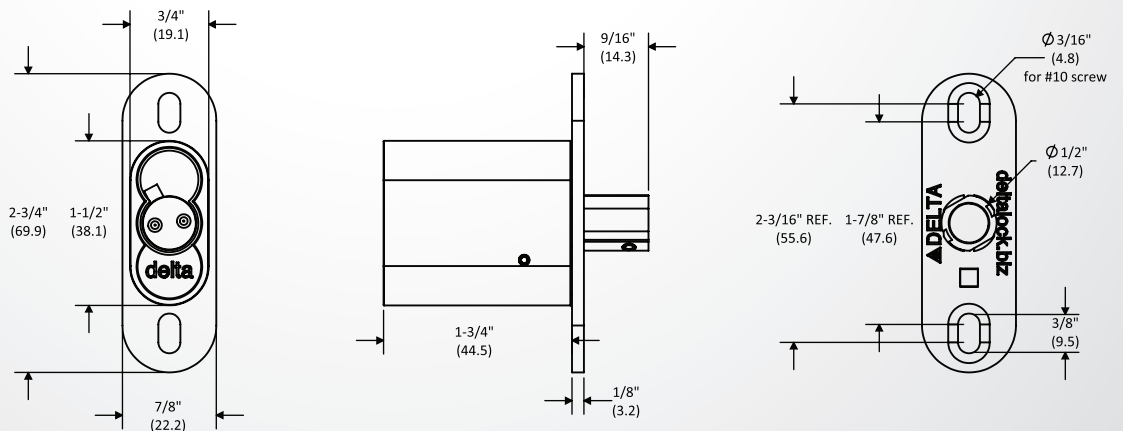
Strike Plate



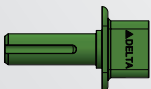
**Plunger Lock (Captive only)**

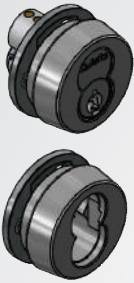
|   |                                      |                      |
|---|--------------------------------------|----------------------|
| <b>Part Number:</b><br>SI1750R500BCBB1* | <b>Bolt Length</b><br>9/16" (14.3mm) | <b>Keypulls</b><br>1 |
|---|--------------------------------------|----------------------|

\* Instakey compatible  
Note: Parenthesis dimensions in (mm)



Included in each order.





Package includes  
(2x) #8 x 3/8" Screws



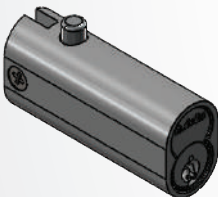
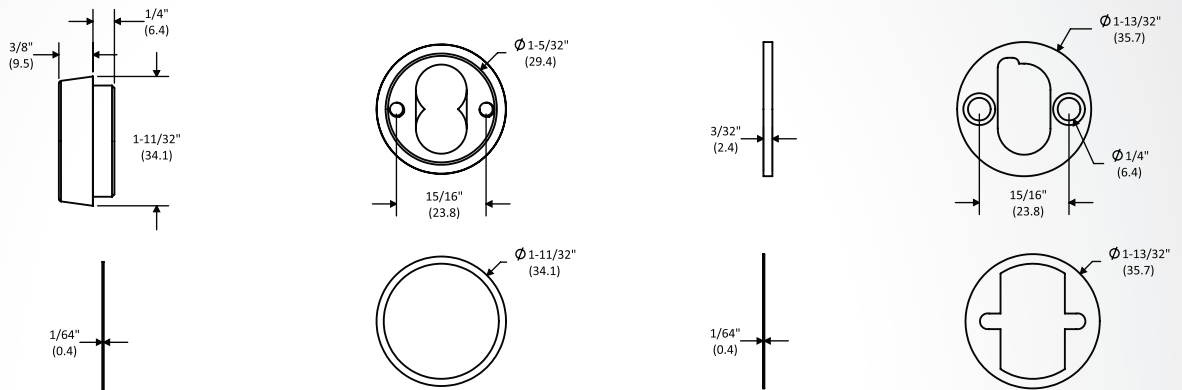
**Glass Plunger Lock**

**Part Number:**  
GI0500R000BCGL2

**Material Thickness**  
1/4" (6.4mm) typical

**Keypulls**  
Core Dependent

Must use Split Lug or Extended cores see pg IC3.  
Note: Parenthesis dimensions in (mm)



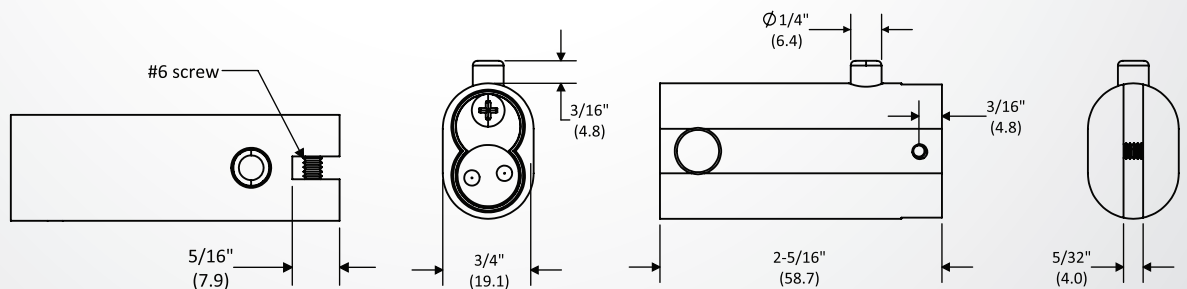
**File Cabinet Lock**

**Part Number:**  
MI2281DL156BCF1

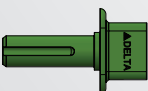
**Bolt Length**  
3/16" (4.8mm)

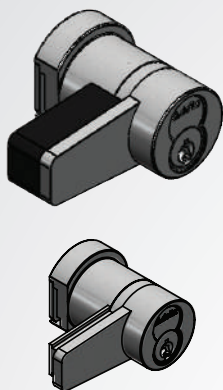
**Keypulls**  
1 non-captive

Note: Parenthesis dimensions in (mm)



Included in each order.





## ICore Ratchet Lock Housing available in 6 installation sets:

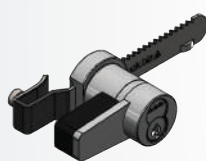
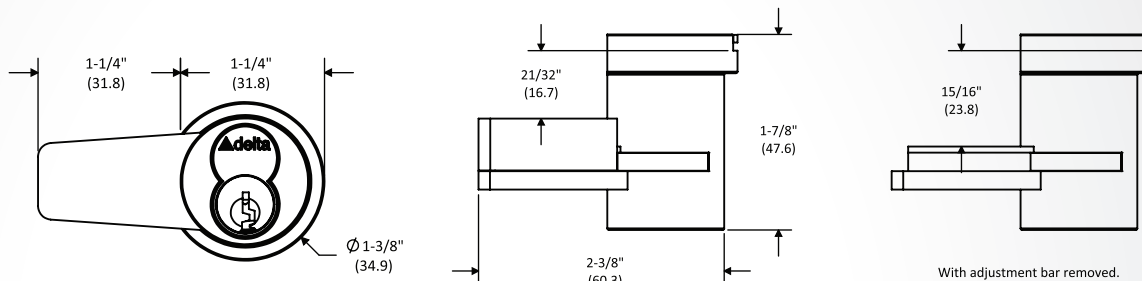
### Part Number:

- RI1875R270PCHSG \*
- RI1875R315PCHSG \*
- RI1875A750PCHSG \*
- RI1875ADHEPCHSG\*
- RI1875ADEXPCHSG\*
- RI1875CONCPCHSG\*

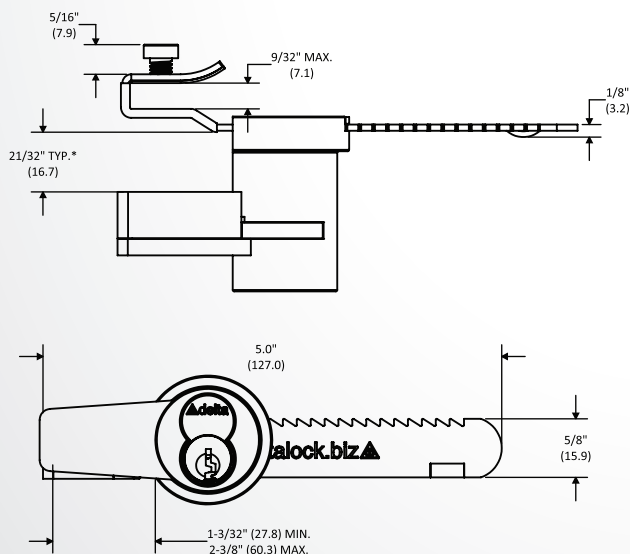
### Keypulls

- 1
- 1
- 1
- 1
- 1
- 1

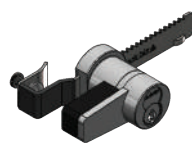
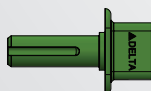
Note: Parenthesis dimensions in (mm) \* Instakey compatible



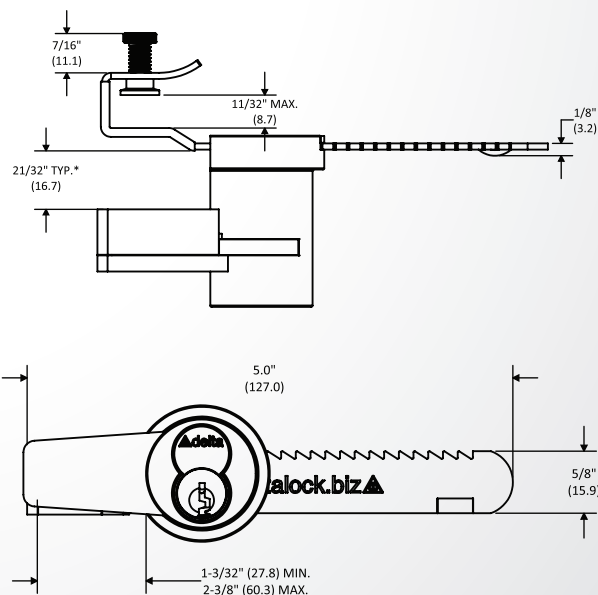
### Part Number: RI1875R270PCHSG

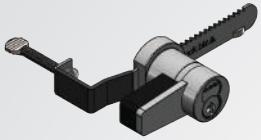


Included in each order.

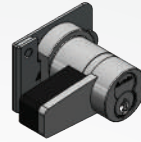
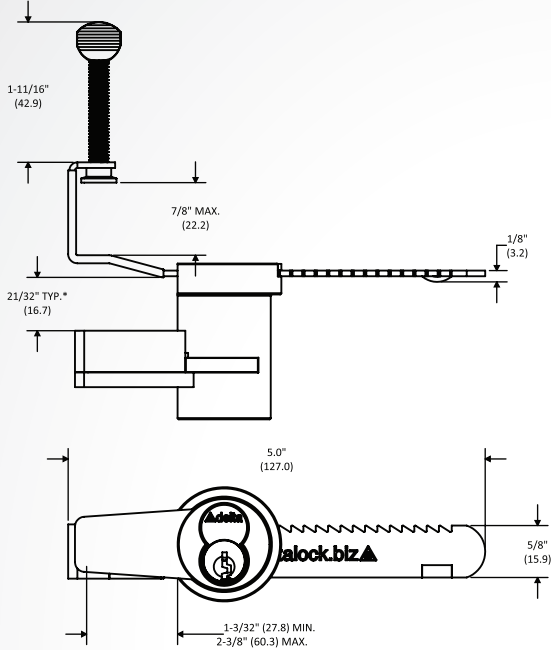


### Part Number: RI1875R315PCHSG





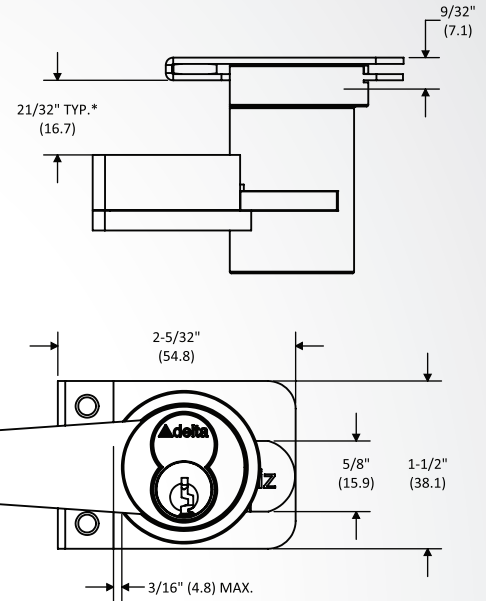
Part Number: RI1875A750PCHSG



Part Number: RI1875ADHEPCHSG



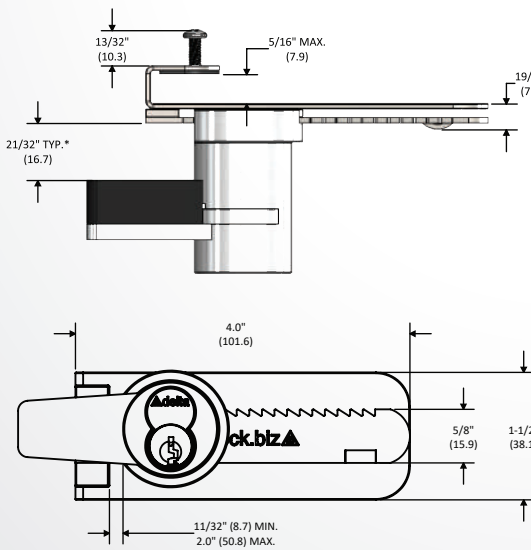
Adhesive Kit:  
Adhesive pack  
Alcohol pad x 2  
Plastic card  
Roughing pad  
Instructions



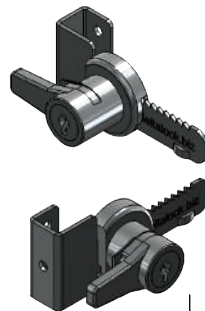
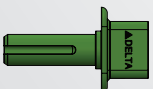
Part Number: RI1875ADEXPCHSG



Adhesive Kit:  
Adhesive pack  
Alcohol pad x 2  
Plastic card  
Roughing pad  
Instructions

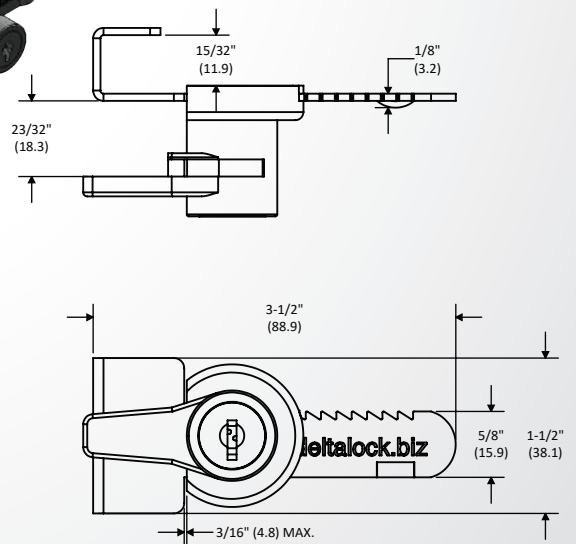


Included in each order.

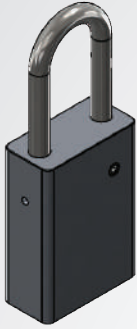


Part Number: RI1875CONCPCHSG

Concord







### Pad Lock

**Part Number:**

PI1500250ALXX1\*  
PI1500250ALCP1\*

**Horizontal Clearance**

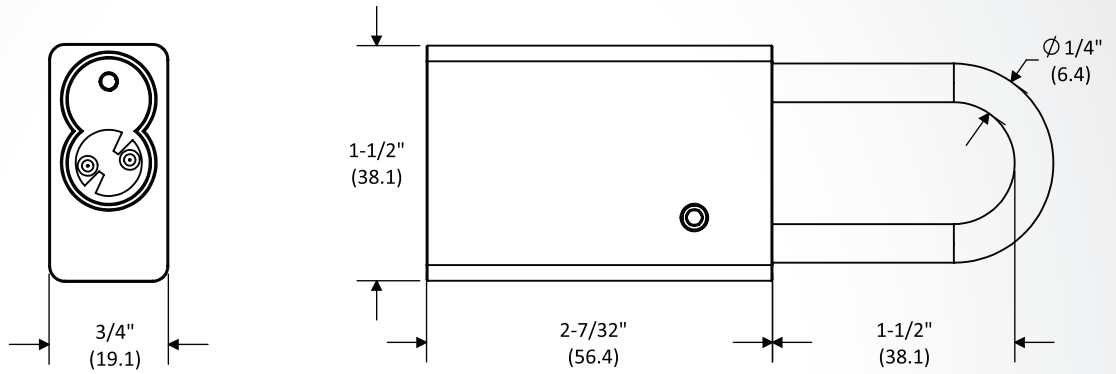
25/32"(19.8)  
25/32"(19.8)

**Keypulls**

1 Non-Captive  
1 Captive

\* Instakey compatible

Note: Parenthesis dimensions in (mm)



### Pad Lock

**Part Number:**

PI4000250ALXX1\*  
PI4000250ALCP1\*

**Horizontal Clearance**

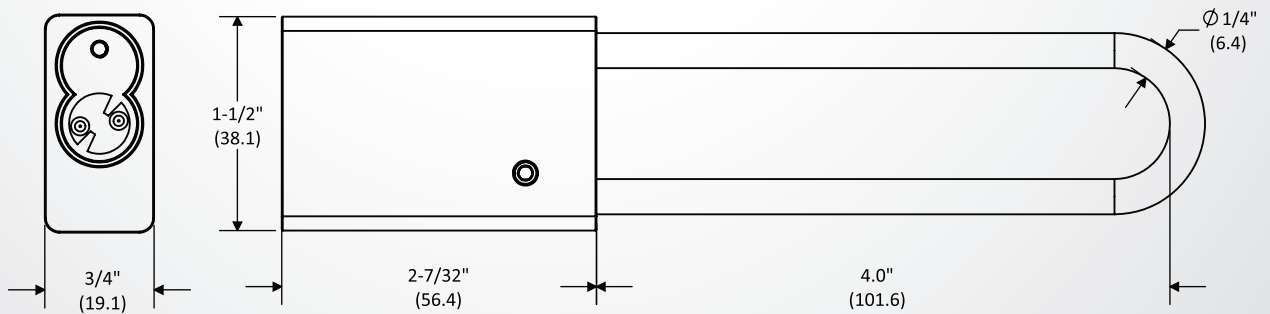
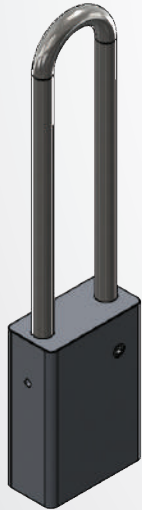
25/32"(19.8)  
25/32"(19.8)

**Keypulls**

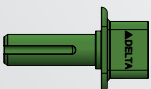
1 Non-Captive  
1 Captive

\* Instakey compatible

Note: Parenthesis dimensions in (mm)



Included in each order.

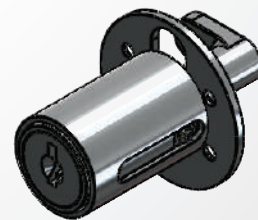
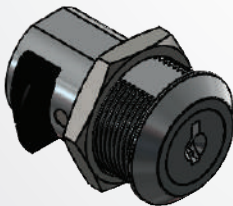


## KRC-US-L

- Key Removable Core: Industry Standard US inch dimension locks available in the L5 unrestricted key (5 wafer) and L6 Restricted key (6 wafer) options.
- Over 800 key numbers with masterkey issue option.
- May be keyed alike, keyed different, individually or keyed differently in groups.
- 5 or 6 wafer key systems built to order. We offer 5 wafer key systems to match competing “B” keyway.
- L6 restricted keyway cores and keys.
- Standard functions: (non-key retaining) 2 keypulls, (key retaining) 1 keypull available.
- Standard plating finish is polished chrome.

## KRC-US-R

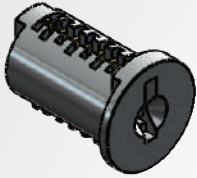
- Key Removable Core: Industry Standard US inch dimension locks available in the R5 unrestricted key (5 wafer) and R6 Unrestricted key (6 wafer) options.
- Over 800 key numbers with masterkey issue option.
- May be keyed alike, keyed different, individually or keyed differently in groups.
- 6 wafer system, off the shelf or built to order: Custom stamping available.
- Standard functions: (non-key retaining) 2 keypulls, (key retaining) 1 keypull available.
- Standard plating finish is polished chrome.



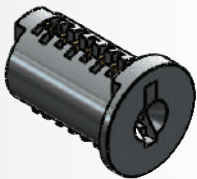
# Key Removable Core (KRC)

KRC2

*If ordering replacement keys or cores please specify the keycode / key number in place of "XXXX"  
In space available enter 5 for 5-wafer system, 6 for 6-wafer system.*



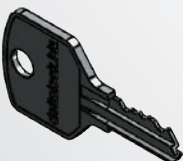
**KRC-US-R**  
**Part Number:**  
XCORE\_XXXX



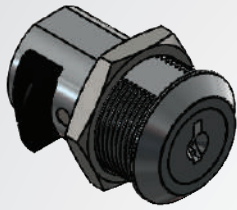
**KRC-US-L**  
**Part Number:**  
XLCORE\_XXXX



**KRC-US-R**  
**Part Number:**  
KEYROP\_XXXX  
KEYRMASTER\_XXXX  
KEYRCONTROL\_XXXX



**KRC-US-L**  
**Part Number:**  
KEYLOP\_XXXX  
KEYLMASTER\_XXXX  
KEYLCONTROL\_XXXX



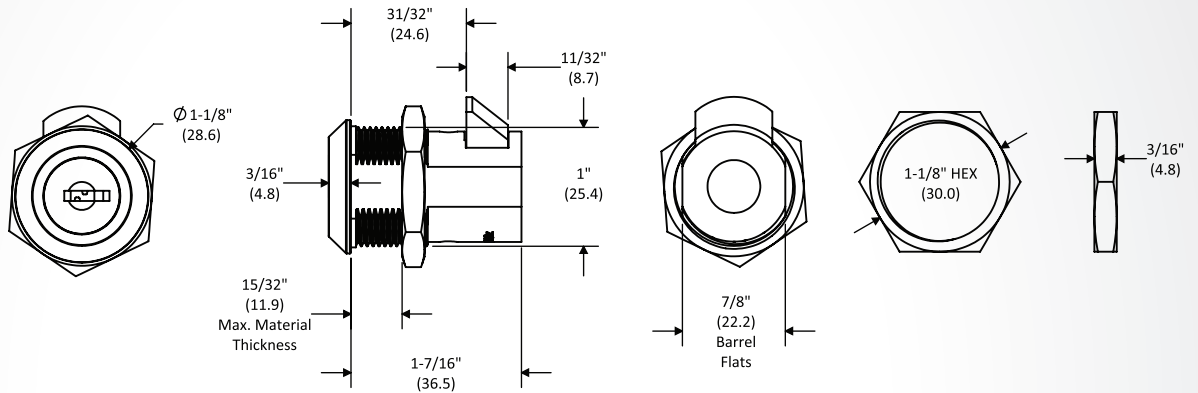
### Cam-Latch

**Part Number:**  
CR1000LATPCSM1

**Barrel length**  
31/32"(24.6mm)

**Keypulls**  
1 non-captive

Note: Parenthesis dimensions in (mm)



### Camlock

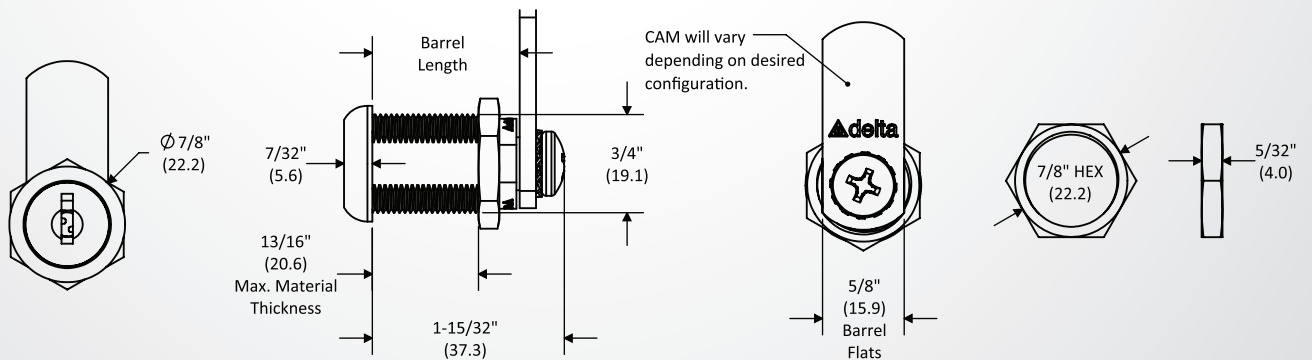
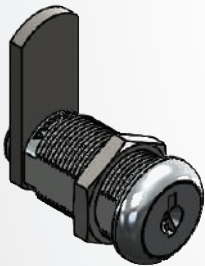
**Part Number:**  
 CR08751203PCSM1  
 CR08751203PCSM2  
 CR11251203PCSM1  
 CR11251203PCSM2  
 CR13751203PCSM1  
 CR13751203PCSM2  
 CR17501203PCSM1  
 CR17501203PCSM2

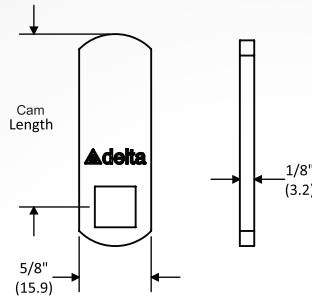
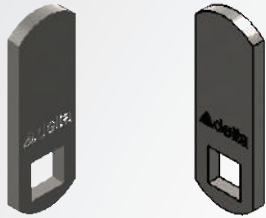
**Barrel length**  
 7/8"(22.2mm)  
 7/8"(22.2mm)  
 9/8"(28.6mm)  
 9/8"(28.6mm)  
 11/8"(35.0mm)  
 11/8"(35.0mm)  
 7/4"(44.5mm)  
 7/4"(44.5mm)

**Keypulls**  
 1  
 2  
 1  
 2  
 1  
 2  
 1  
 2

Note: Parenthesis dimensions in (mm)

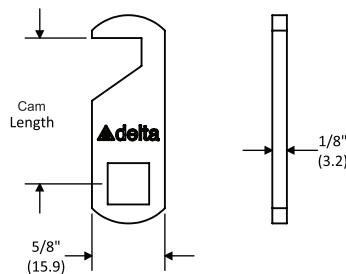
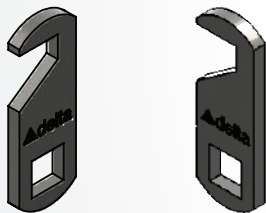
Different rotations: 0306, 0912, 1209, etc and other options available, call for part #.





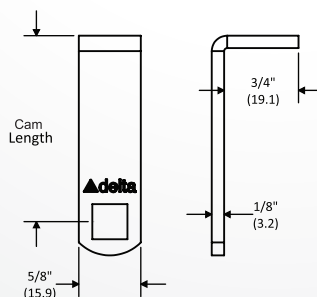
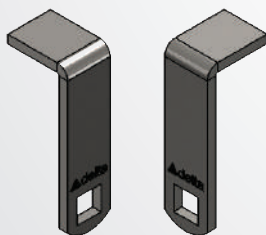
| Part Number | Cam Length    |
|-------------|---------------|
| CAM8S0625   | 5/8" (15.9)   |
| CAM8S0750   | 3/4" (19.1)   |
| CAM8S0875   | 7/8" (22.2)   |
| CAM8S1000   | 1" (25.4)     |
| CAM8S1125   | 1-1/8" (28.6) |
| CAM8S1250   | 1-1/4" (31.8) |
| CAM8S1375   | 1-3/8" (35.0) |
| CAM8S1500   | 1-1/2" (38.1) |
| CAM8S1750   | 1-3/4" (44.5) |
| CAM8S2000   | 2" (50.8)     |
| CAM8S2500   | 2-1/2" (63.5) |
| CAM8S3000   | 3" (76.2)     |

Note: Parenthesis dimensions in (mm)



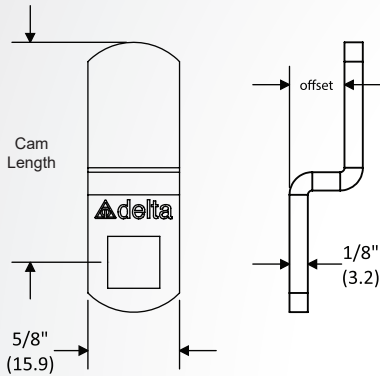
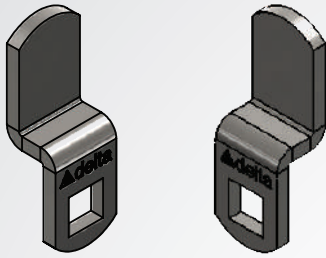
| Part Number | Cam Length    |
|-------------|---------------|
| CAM8H0750   | 3/4" (19.1)   |
| CAM8H1000   | 1" (25.4)     |
| CAM8H1250   | 1-1/4" (31.8) |
| CAM8H1500   | 1-1/2" (38.1) |

Note: Parenthesis dimensions in (mm)



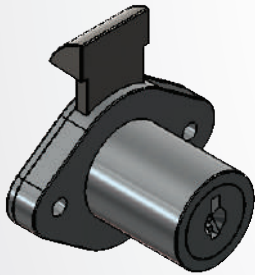
| Part Number | Cam Length    |
|-------------|---------------|
| CAM8LB0750  | 3/4" (19.1)   |
| CAM8LB2000  | 2" (50.8)     |
| CAM8LB2250  | 2-1/4" (57.2) |

Note: Parenthesis dimensions in (mm)



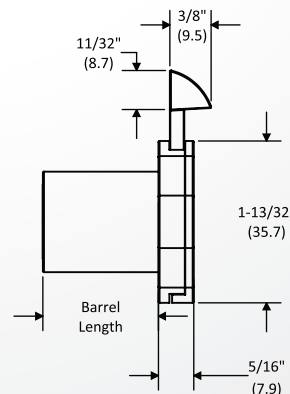
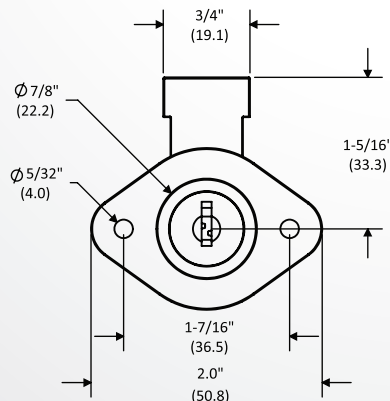
| Part Number    | Cam Length    | Offset      |
|----------------|---------------|-------------|
| CAM8L0875B0125 | 7/8" (22.2)   | 1/8" (3.2)  |
| CAM8L0875B0250 | 7/8" (22.2)   | 1/4" (6.4)  |
| CAM8L1000B0125 | 1" (25.4)     | 1/8" (3.2)  |
| CAM8L1000B0250 | 1" (25.4)     | 1/4" (6.4)  |
| CAM8L1000B0375 | 1" (25.4)     | 3/8" (9.5)  |
| CAM8L1250B0125 | 1-1/4" (31.7) | 1/8" (3.2)  |
| CAM8L1250B0250 | 1-1/4" (31.7) | 1/4" (6.4)  |
| CAM8L1250B0375 | 1-1/4" (31.7) | 3/8" (9.5)  |
| CAM8L1250B0500 | 1-1/4" (31.7) | 1/2" (12.7) |
| CAM8L1500B0125 | 1-1/2" (38.1) | 1/8" (3.2)  |
| CAM8L1500B0250 | 1-1/2" (38.1) | 1/4" (6.4)  |
| CAM8L1500B0375 | 1-1/2" (38.1) | 3/8" (9.5)  |
| CAM8L1500B0500 | 1-1/2" (38.1) | 1/2" (12.7) |
| CAM8L1750B0250 | 1-3/4" (44.4) | 1/4" (6.4)  |
| CAM8L1750B0500 | 1-3/4" (44.4) | 1/2" (12.7) |
| CAM8L2000B0125 | 2" (50.8)     | 1/8" (3.2)  |
| CAM8L2000B0250 | 2" (50.8)     | 1/4" (6.4)  |
| CAM8L2000B0375 | 2" (50.8)     | 3/8" (9.5)  |
| CAM8L2000B0500 | 2" (50.8)     | 1/2" (12.7) |

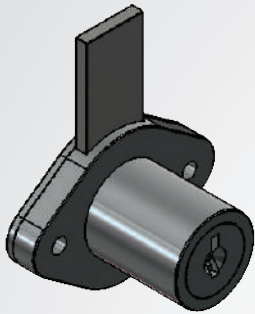
Note: Parenthesis dimensions are in (mm)



| Part Number     | Barrel Length | Keypulls      |
|-----------------|---------------|---------------|
| DR1000L340PCSM1 | 1" (25.4)     | 1 Non-Captive |
| DR1500L240PCSM1 | 1-1/2" (38.1) | 1 Non_Captive |

Note: Parenthesis dimensions are in (mm)

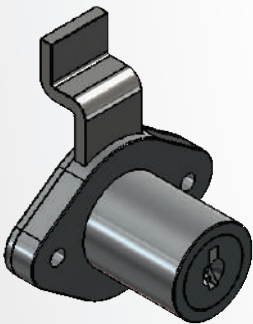
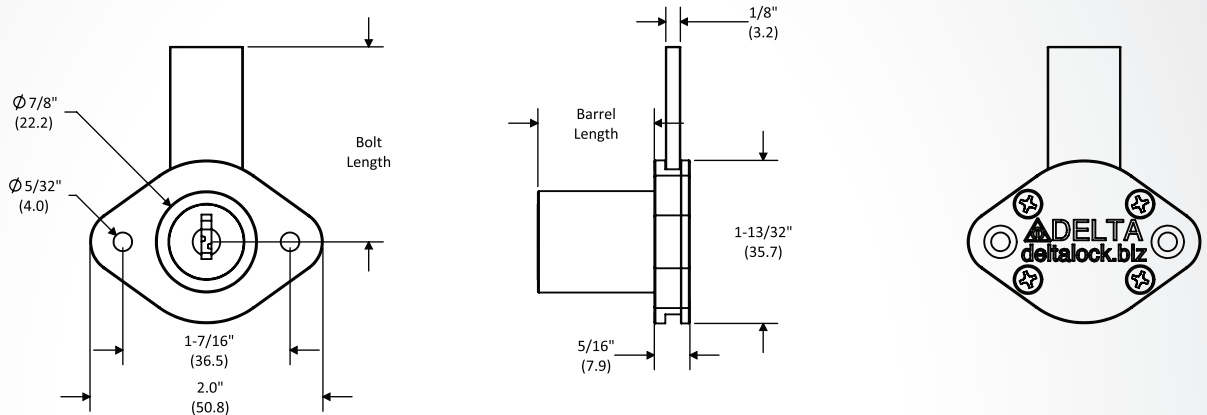




### Deadbolt

| Part Number     | Barrel Length | Bolt Length | Keypulls |
|-----------------|---------------|-------------|----------|
| DR1000_375PCSM1 | 1" (25.4)     | A, B, X     | 1        |
| DR1000_375PCSM2 | 1" (25.4)     | A, B, X     | 2        |
| DR1500_375PCSM1 | 1-1/2" (38.1) | A, B, X     | 1        |
| DR1500_375PCSM2 | 1-1/2" (38.1) | A, B, X     | 2        |

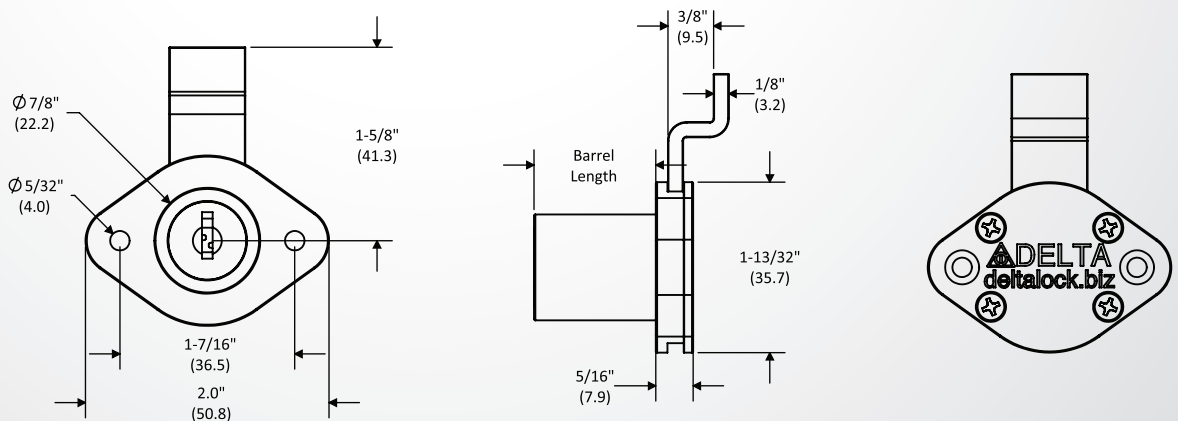
Bolt Lengths: A 1-1/16" (26.9), B 1-3/4" (44.5), X Custom Cut in place of \_  
 Note: Parenthesis dimensions in (mm)

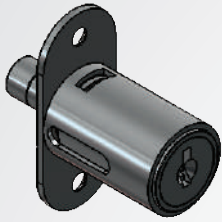


### Deadbolt Offset Bolt

| Part Number     | Barrel length | Bolt Length | Keypulls |
|-----------------|---------------|-------------|----------|
| DR1000C375PCSM1 | 1" (25.4)     | C           | 1        |
| DR1000C375PCSM2 | 1" (25.4)     | C           | 2        |
| DR1500C375PCSM1 | 1-1/2" (38.1) | C           | 1        |
| DR1500C375PCSM2 | 1-1/2" (38.1) | C           | 2        |

Bolt Lengths: C 1-5/8" (41.3)  
 Note: Parenthesis dimensions in (mm)





### Round Bolt Plunger Lock

**Part Number:**

- SR1250R500PCSM1
- SR1250R500PCSM2
- SR1250R625PCSM1
- SR1250R625PCSM2

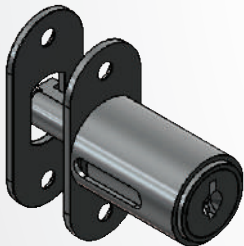
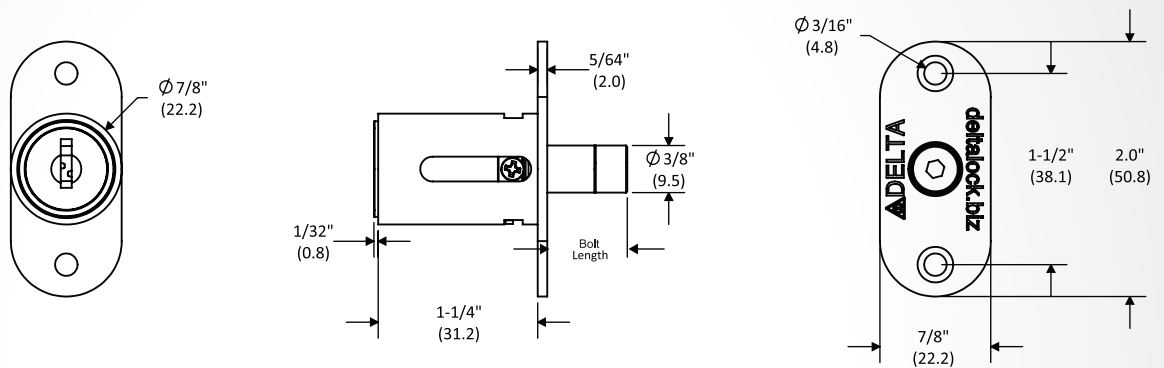
**Bolt Length:**

- 1/2" (12.7mm)
- 1/2" (12.7mm)
- 5/8" (15.9mm)
- 5/8" (15.9mm)

**Keypulls**

- 1
- 2
- 1
- 2

Note: Parenthesis dimensions in (mm)



### T-Bolt Plunger Lock

**Part Number:**

- SR1250T375PCSM1
- SR1250T375PCSM2
- SR1250T625PCSM1
- SR1250T625PCSM2

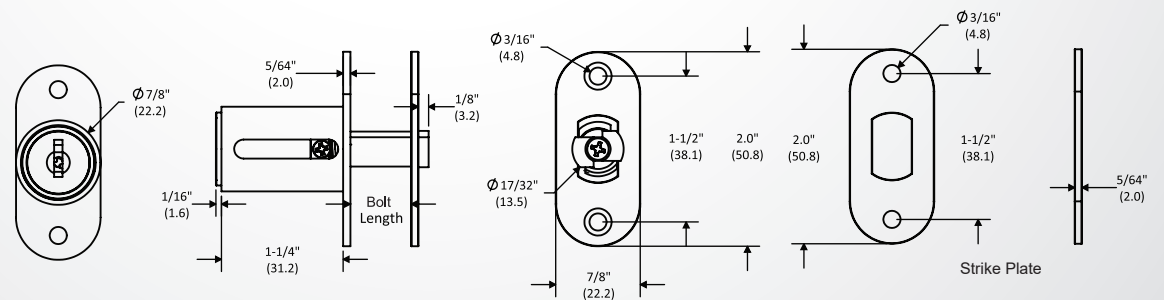
**Bolt Length:**

- 3/8" (9.5mm)
- 3/8" (9.5mm)
- 5/8" (15.9mm)
- 5/8" (15.9mm)

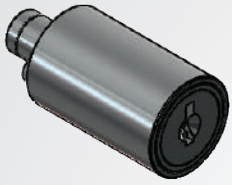
**Keypulls**

- 1
- 2
- 1
- 2

Note: Parenthesis dimensions in (mm)







## Round Bolt No Flange Plunger Lock

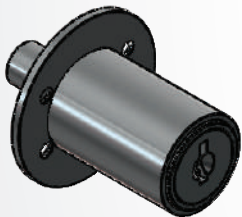
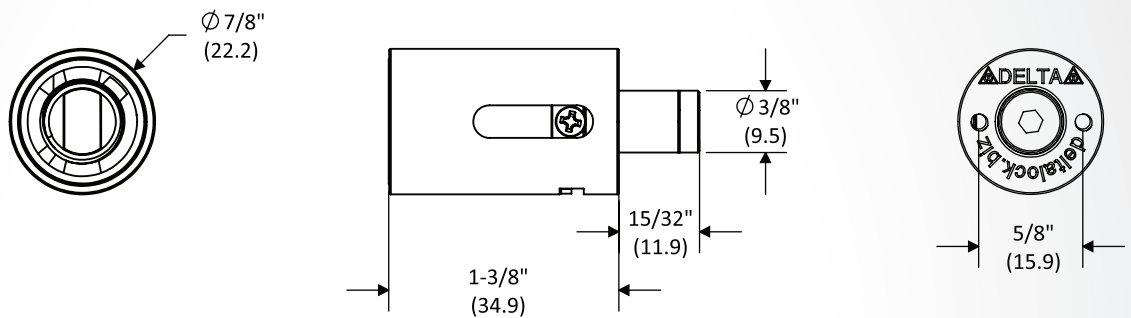
**Part Number:**  
SR1250N500PCSM1  
SR1250N500PCSM2

**Keypulls**  
1  
2

Package includes  
(2x) #4 x 1/4"  
Mounting Screws



Note: Parenthesis dimensions in (mm)



## Round Bolt Glass Plunger Lock

**Part Number:**  
GR1250R625PCSM1  
GR1250R625PCSM2

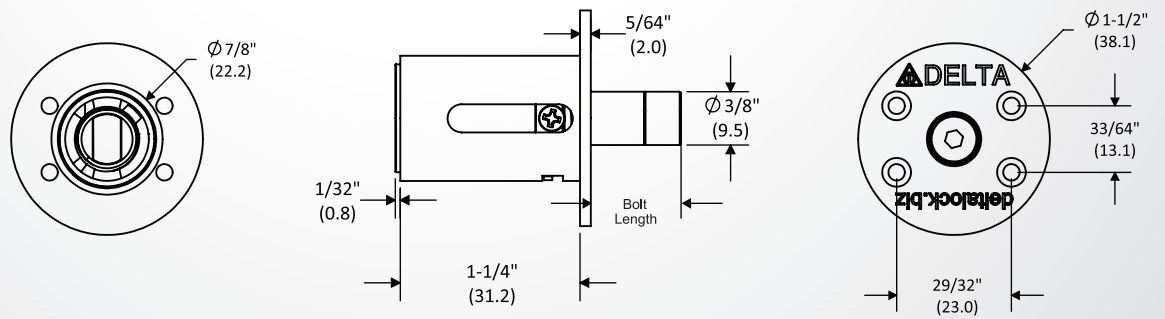
**Bolt Length:**  
 $5/8''$  (15.9mm)  
 $5/8''$  (15.9mm)

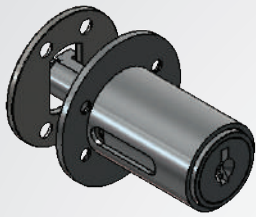
**Keypulls**  
1  
2



Includes GRDONUTRINGKIT  
See pg A4

Note: Parenthesis dimensions in (mm)





## T-Bolt Glass Plunger Lock

### Part Number:

GR1250T375PCSM1  
 GR1250T375PCSM2  
 GR1250T625PCSM1  
 GR1250T625PCSM2

### Bolt Length:

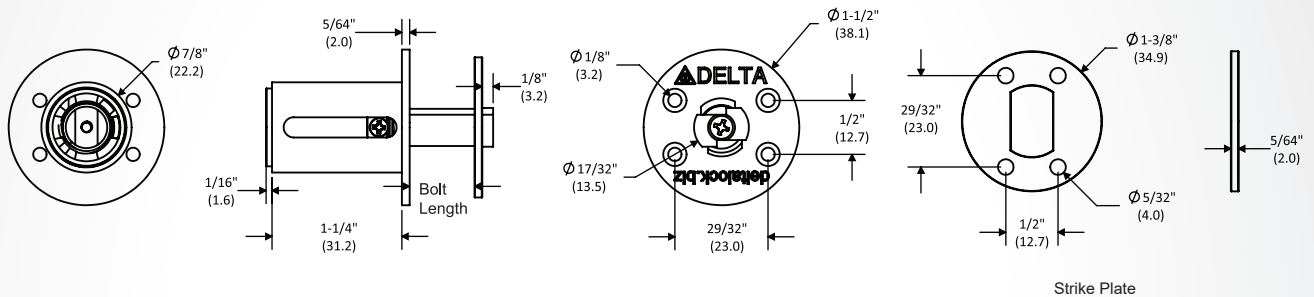
3/8" (9.5mm)  
 3/8" (9.5mm)  
 5/8" (15.9mm)  
 5/8" (15.9mm)

### Keypulls

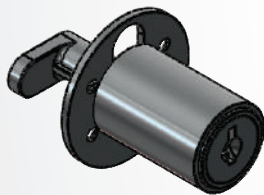
1  
 2  
 1  
 2

Note: Parenthesis dimensions in (mm)

Includes GRDONUTRINGKIT  
 See pg A4



Strike Plate



## L-Bolt Glass Plunger Lock

### Part Number:

GR1250L625PCSM1  
 GR1250L625PCSM2

### Bolt Length:

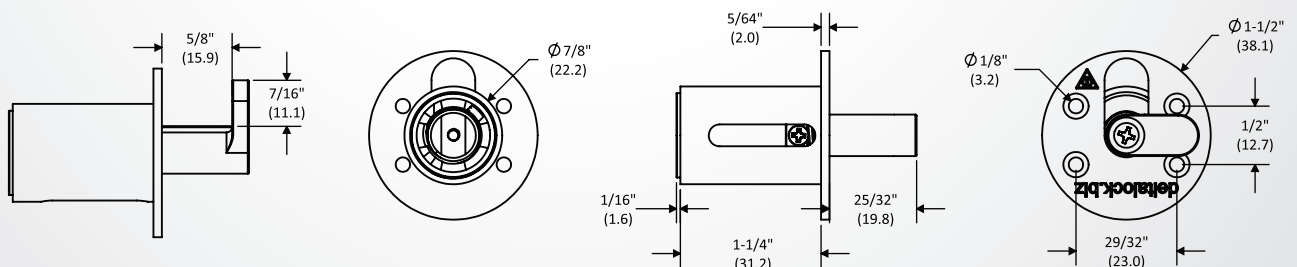
5/8" (15.9mm)  
 5/8" (15.9mm)

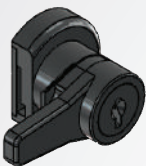
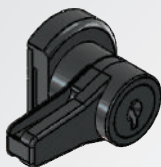
### Keypulls

1  
 2

Note: Parenthesis dimensions in (mm)

Includes GRDONUTRINGKIT  
 See pg A4





Special milled version for part number RR1250CONCPCSM1

## KRC Ratchet Lock

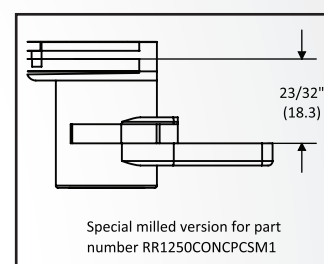
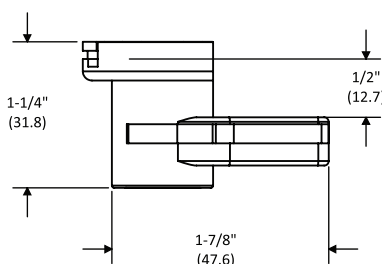
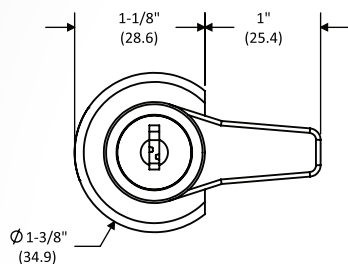
Lock specifications reference for the following part numbers:

- RR1250A750PCSM1
- RR1250R315PCSM1
- RR1250R270PCSM1
- RR1250CONCPCSM1
- RR1250ADEXPCHSG
- RR1250ADHEPCSM1

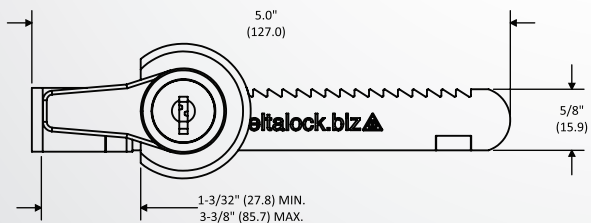
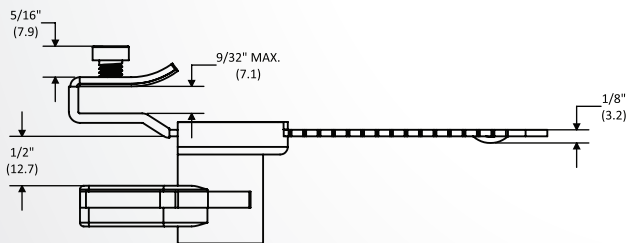
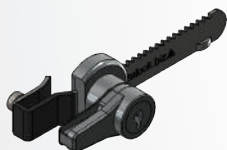
## Keypulls

- 1
- 1
- 1
- 1
- 1
- 1

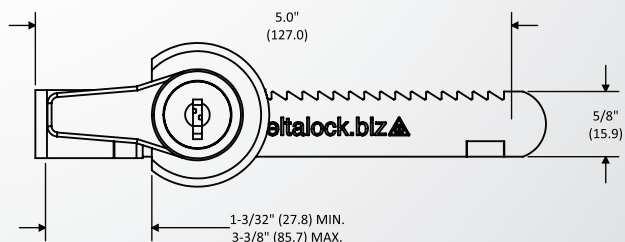
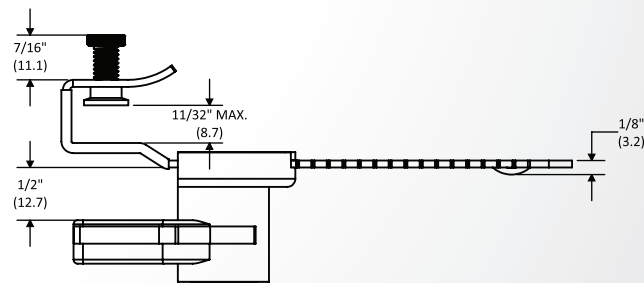
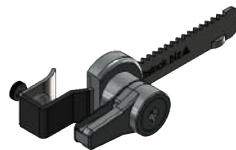
Note: Parenthesis dimensions in (mm)



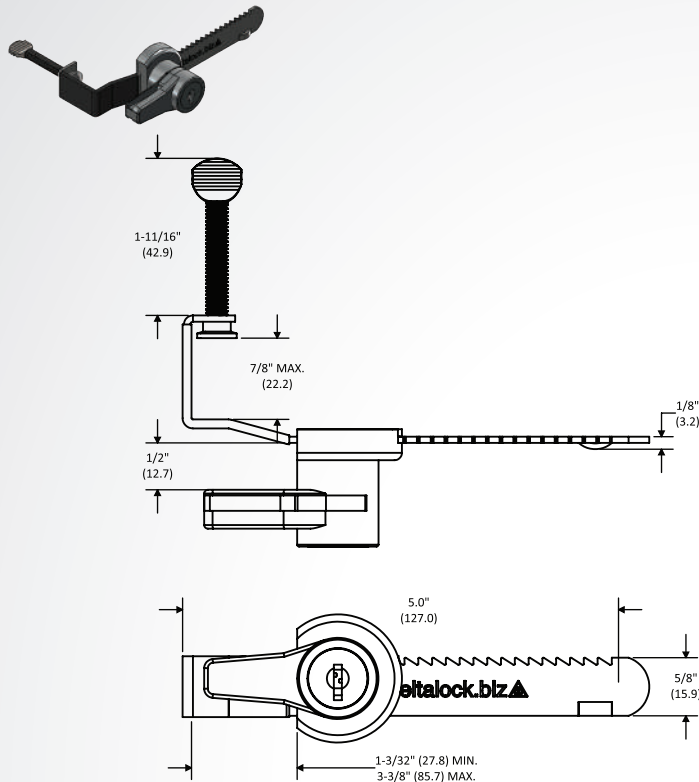
### Part Number: RR1250R270PCSM1



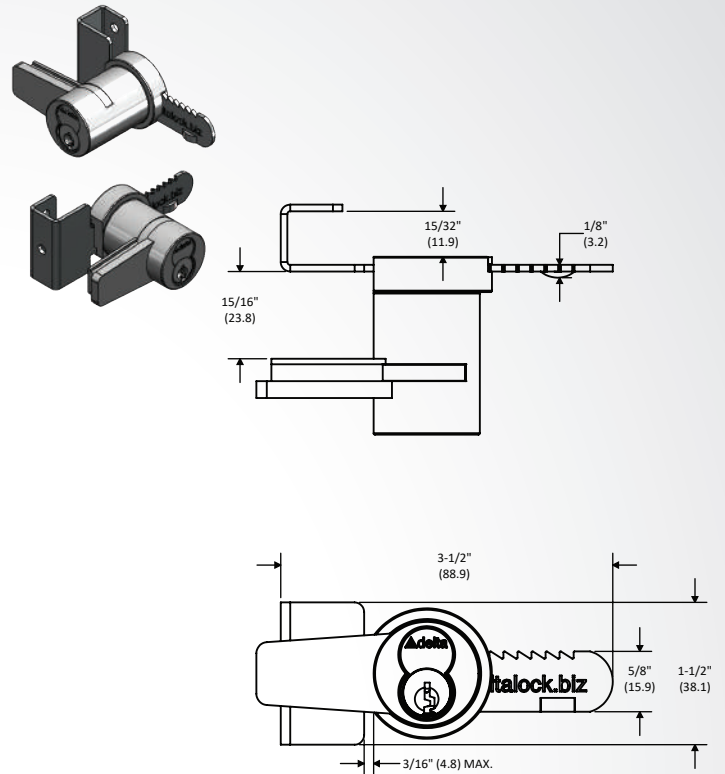
### Part Number: RR1250R315PCSM1



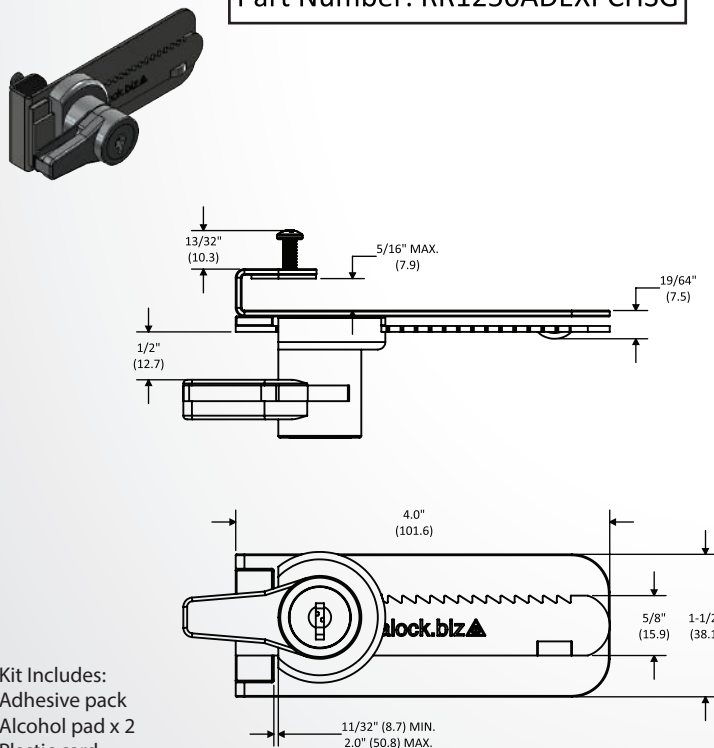
Part Number: RR1250R750PCSM1



Part Number: RR1250CONCPCSM1

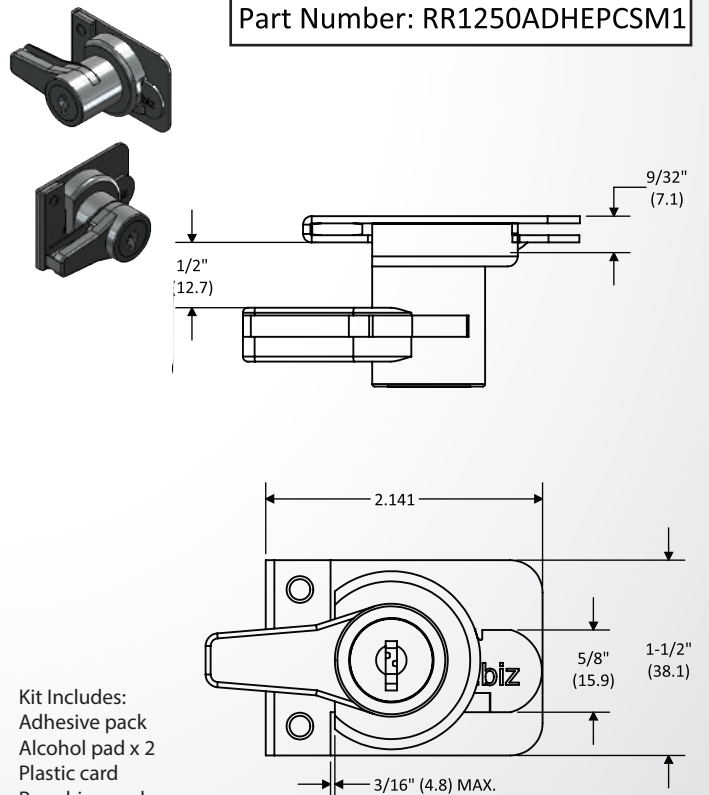


Part Number: RR1250ADEXPCHSG



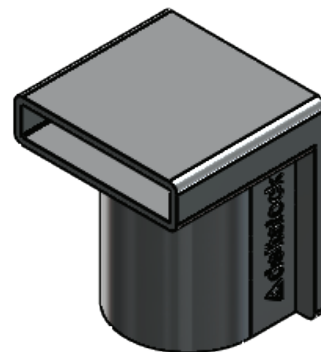
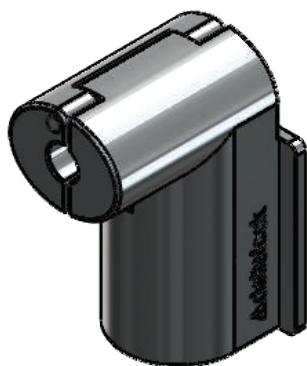
Kit Includes:  
 Adhesive pack  
 Alcohol pad x 2  
 Plastic card  
 Roughing pad  
 Instructions

Part Number: RR1250ADHEPCSM1

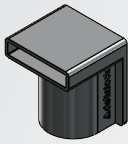


Kit Includes:  
 Adhesive pack  
 Alcohol pad x 2  
 Plastic card  
 Roughing pad  
 Instructions

- Single wire peghook lock fits on most pegs or peghooks from .125" to .250" diameter.
- Double wire hook lock sizes are custom fit to your needs.
- Greater security than traditional magnetic open merchandise locks.
- Polished chrome (standard), black or white. Other colors or finishes available.
- Custom labeling available, Logo, Languages.
- Key numbers and key management available.



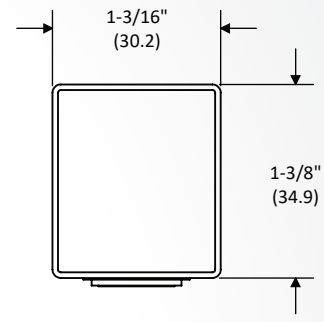
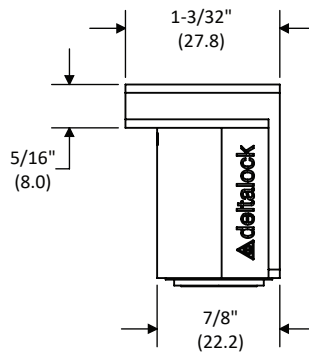
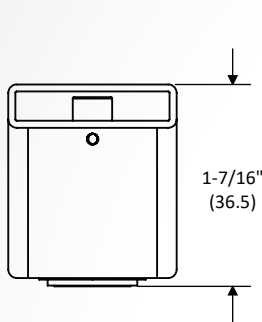
PX1359R197PNSR1



LOCKED



OPEN



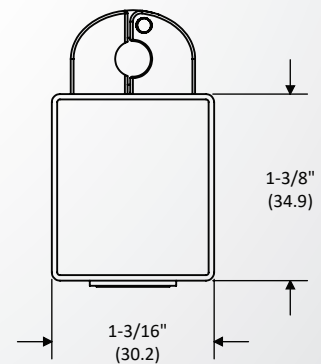
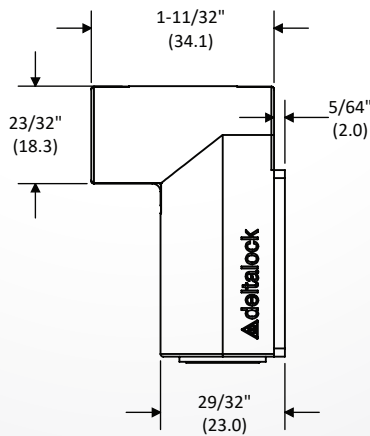
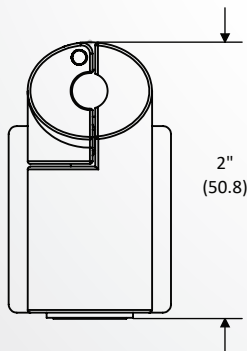
PX1970R197PNSR1



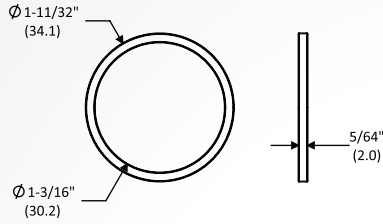
LOCKED



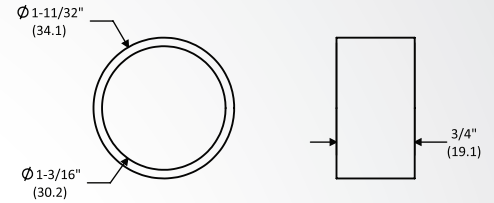
OPEN



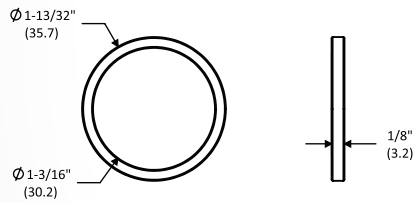
**AISPACER078**



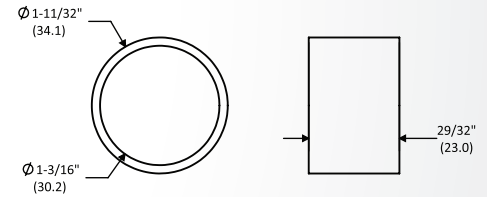
**AISPACER750**



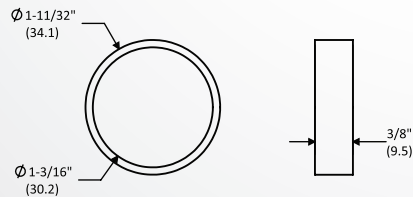
**AISPACER125AL**



**AISPACER900**



**AISPACER375**

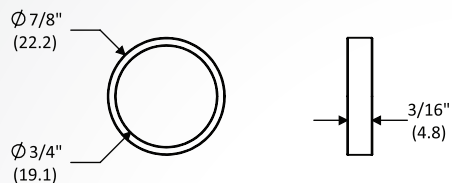


**AUSPACER125**

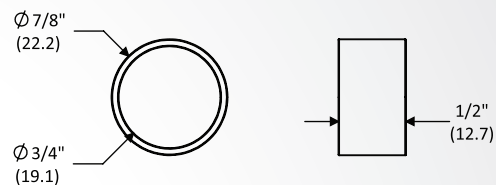


Note: Parenthesis dimensions in (mm)

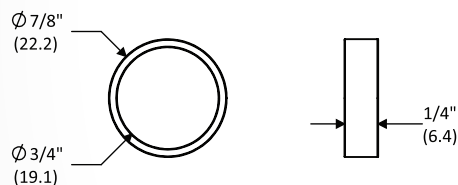
AUSPACER187



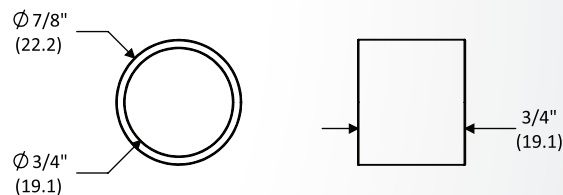
AUSPACER500



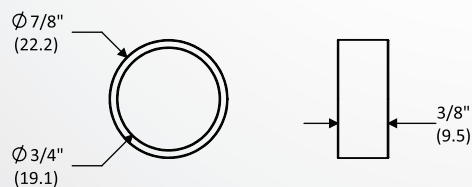
AUSPACER250



AUSPACER750



AUSPACER375



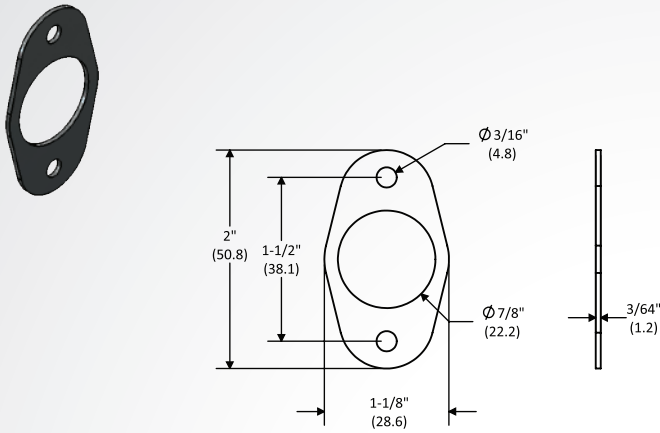
AICLRSPACER



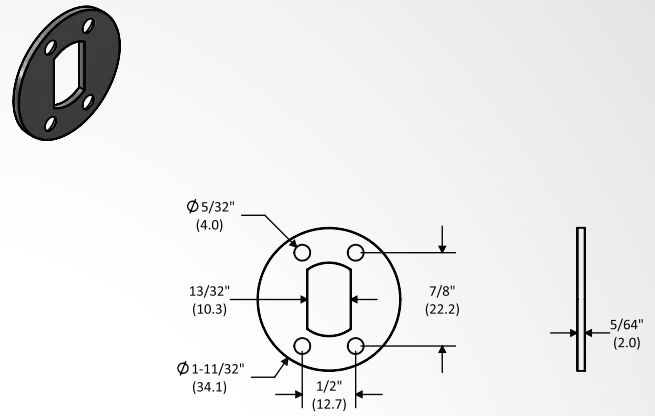
Note: Parenthesis dimensions in (mm)



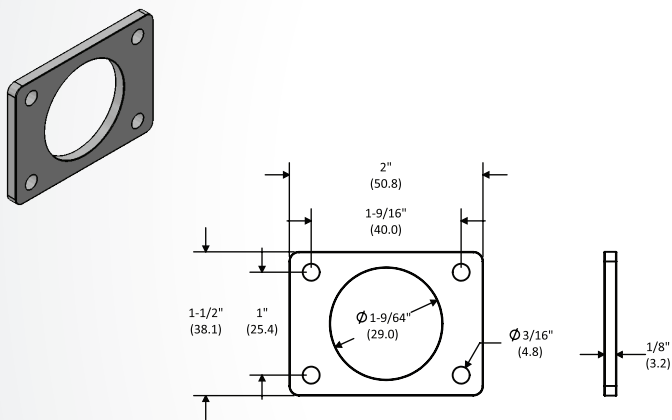
AUSRSPACER045



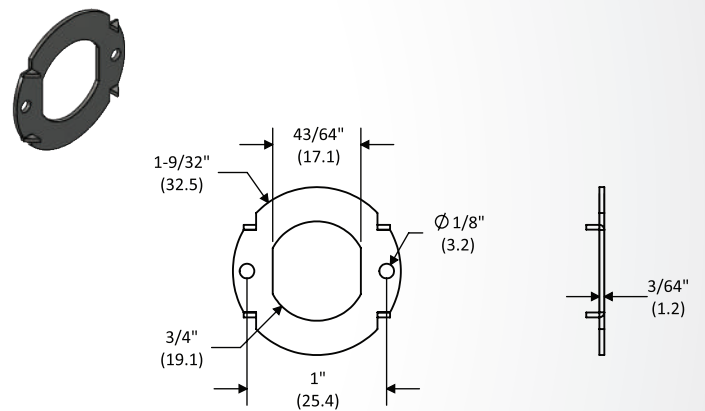
GR1250TSTRIKE



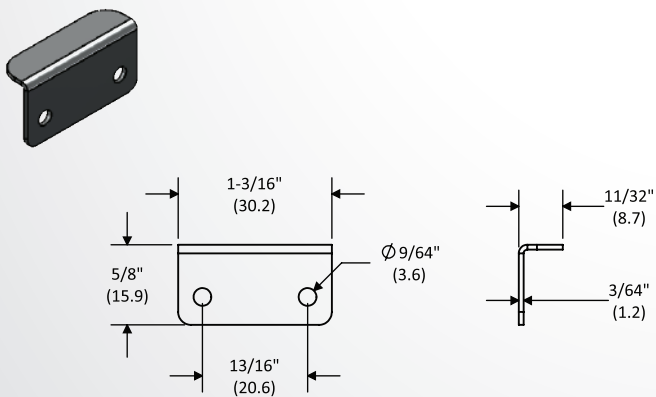
DI1344SPACER



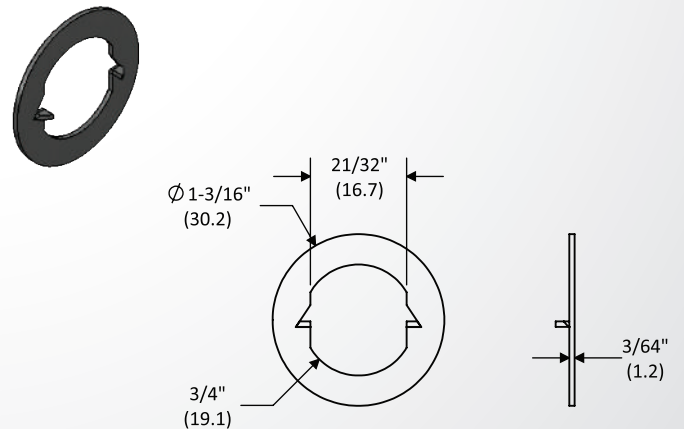
AUWASH4PRONG



AUSTRIKEL375

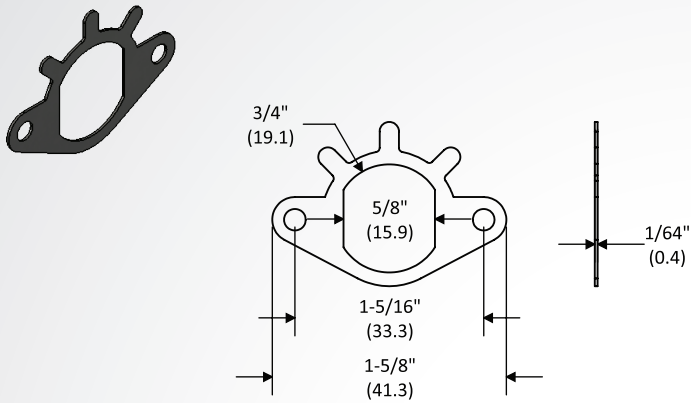


AUWASH2PRONG

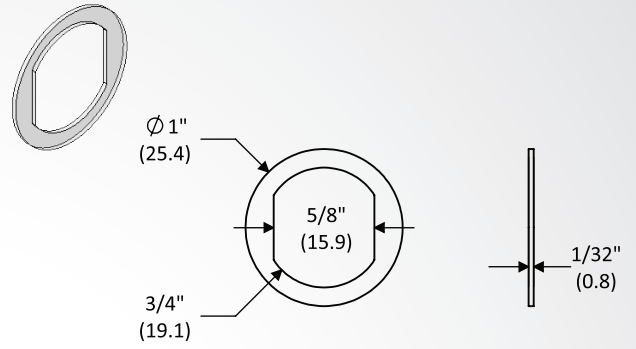


Note: Parenthesis dimensions in (mm)

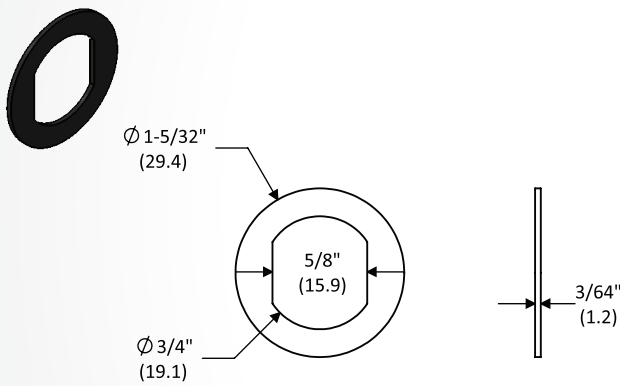
AUCRWASH3FING



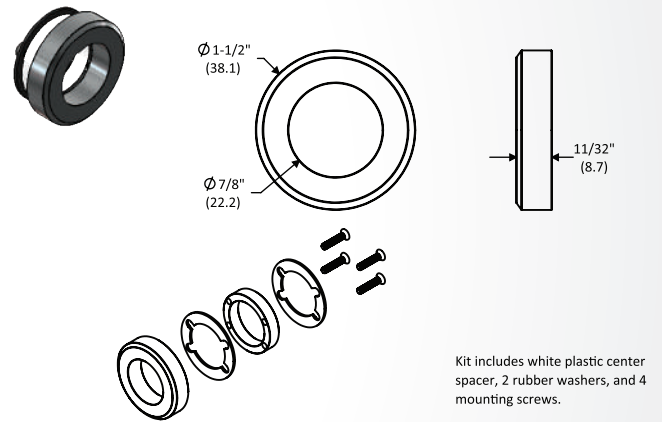
AUCRSTDWASHER



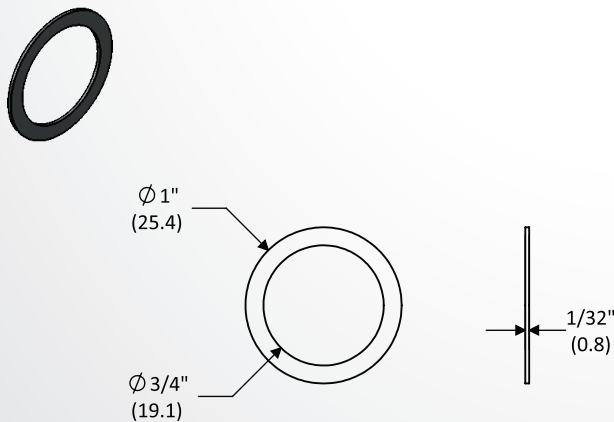
AUCRRUBBWASH



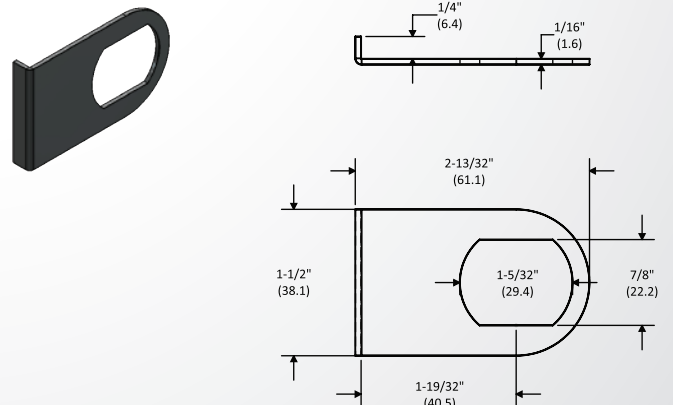
GRDONUTRINGKIT



AUCRMETALWASH

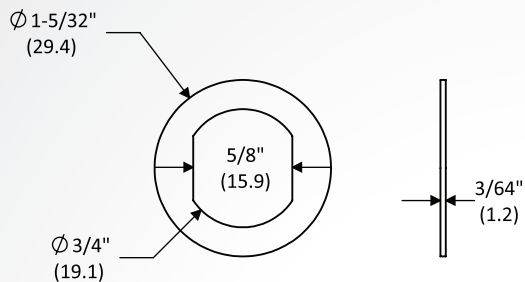


CI375LBRACKET



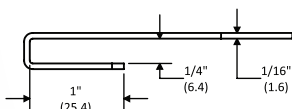
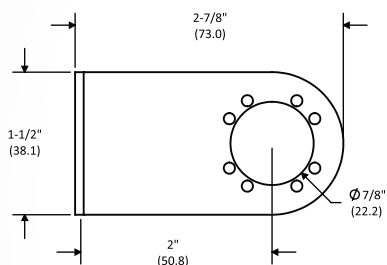
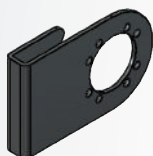
Note: Parenthesis dimensions in (mm)

## AUCRADHWASHER



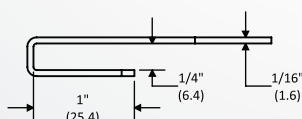
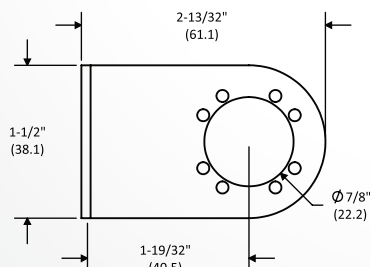
Both sides are peel-n-stick

## AUGPJBRACKET2000



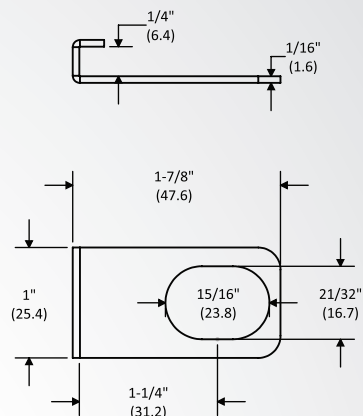
Use with GRDONUTRINGKIT  
See pg A4

## GR1250JBRACKET

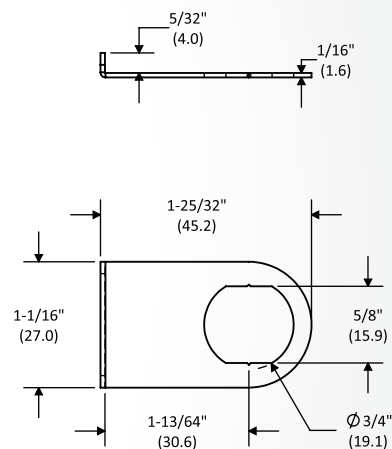
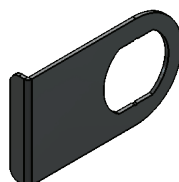


Use with GRDONUTRINGKIT  
See pg A4

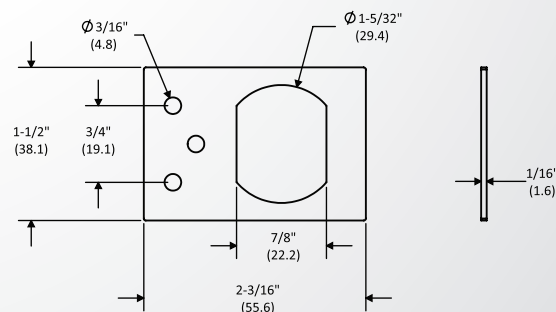
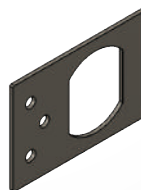
## AUCRJBRACKET



## AUANTIPLATEL

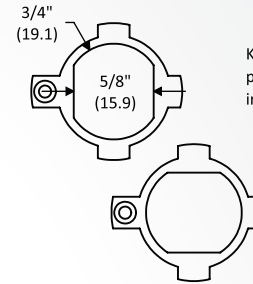
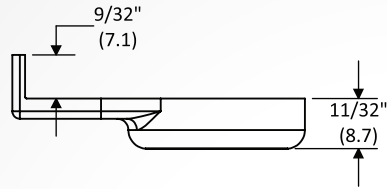
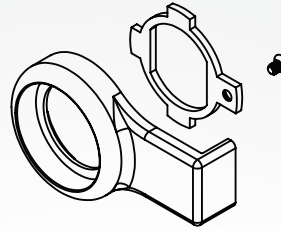
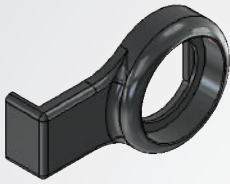


## CI1375ANTIROTATIONPL

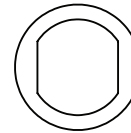
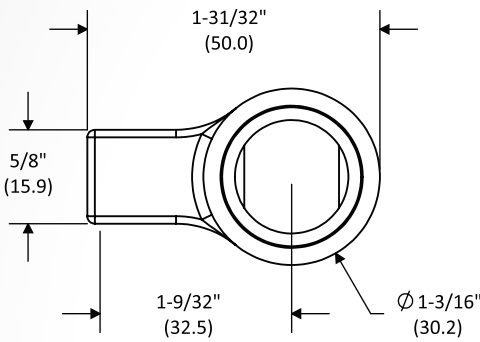


Note: Parenthesis dimensions in (mm)

AUCRBRACKETKIT



Kit includes 2 Double-D plates to ensure desired installation.

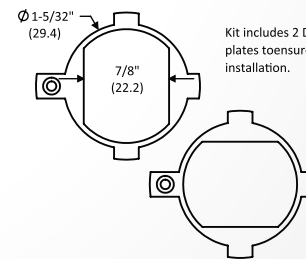
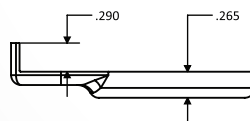
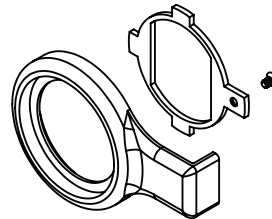


Kit includes 2x AUCRSTDWASHER

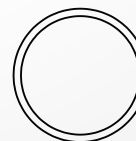
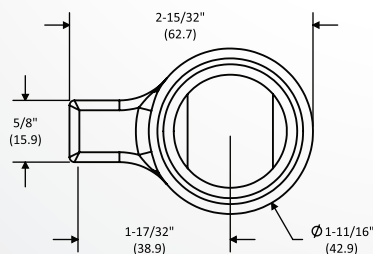


Kit includes 2x 2-56 x 1/8\"/>

CI1375ICBRACKETKIT



Kit includes 2 Double-D plates to ensure desired installation.



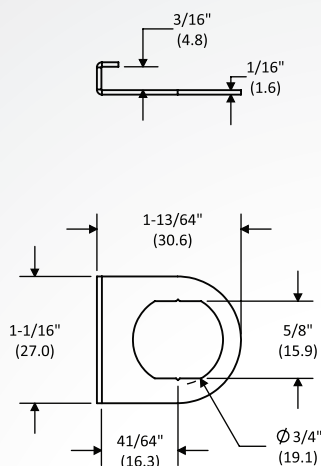
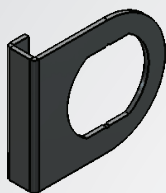
Kit includes 2x AICLRSPACER



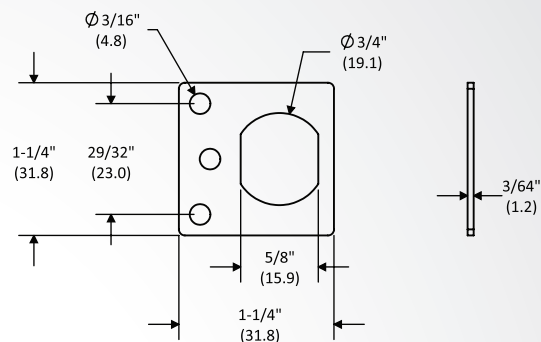
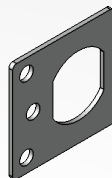
Kit includes 2x 2-56 x 1/8\"/>

Note: Parenthesis dimensions in (mm)

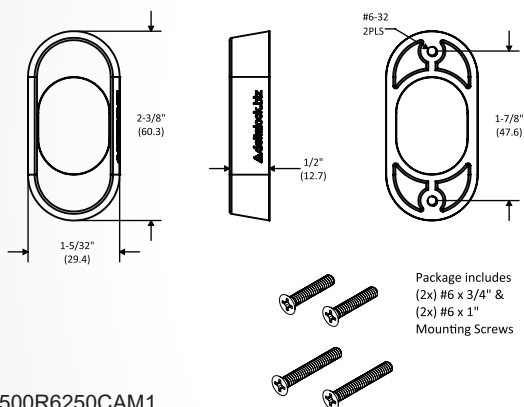
## AUANTIPLATEJ



## AUDOUBLEDPLATE

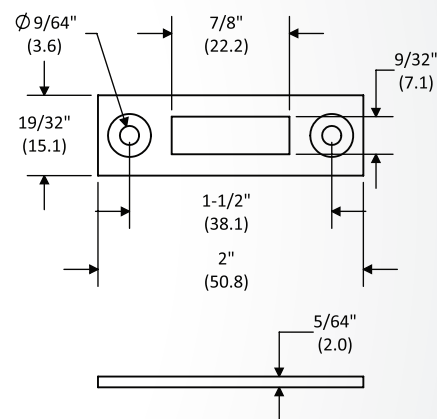
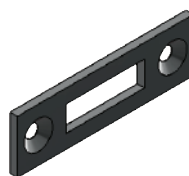


## AIMINICOVERPLATEXX

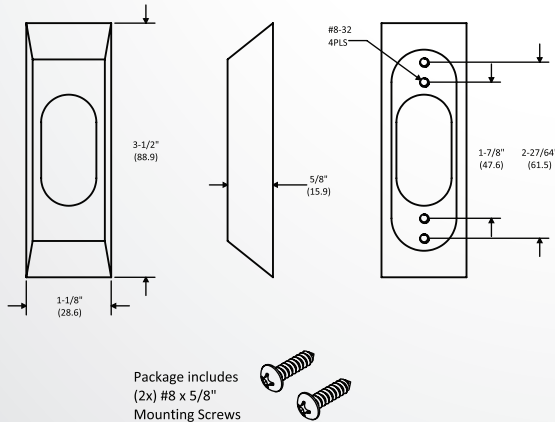
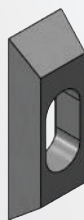


Use with SI1500R6250CAM1

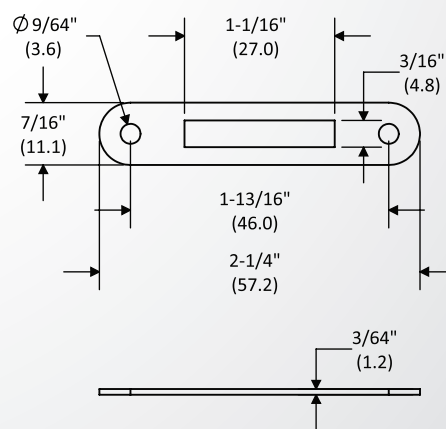
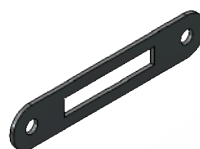
## AUSTRSLOT875



## AISUPPORTSMXX

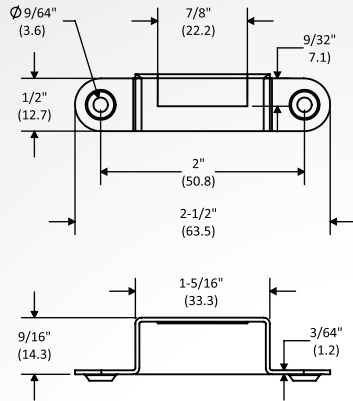
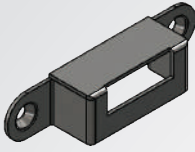


## AUSTRSLOT1062

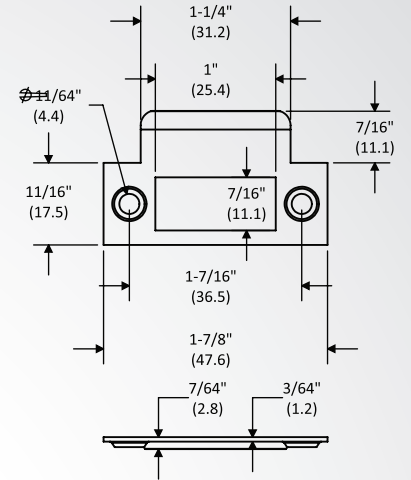
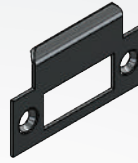


Note: Parenthesis dimensions in (mm)

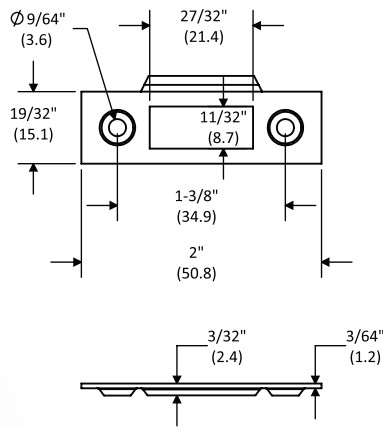
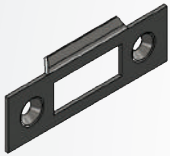
AUSTRSLOT875R



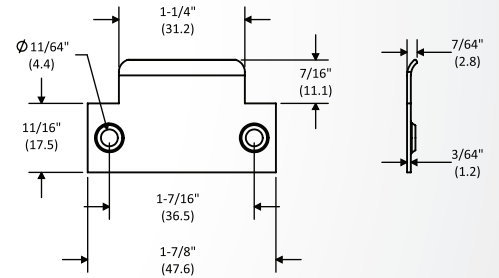
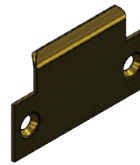
AUSTRSLOTLIPSTEEL



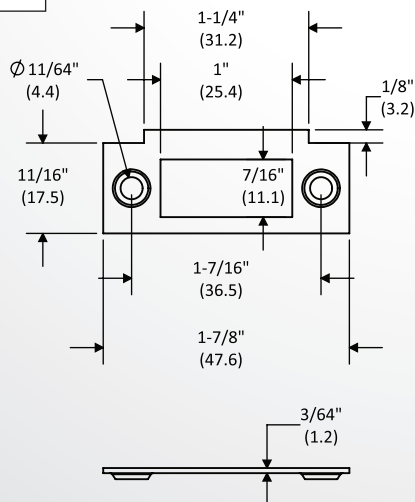
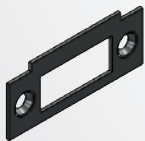
AUSTRSLOTLIP



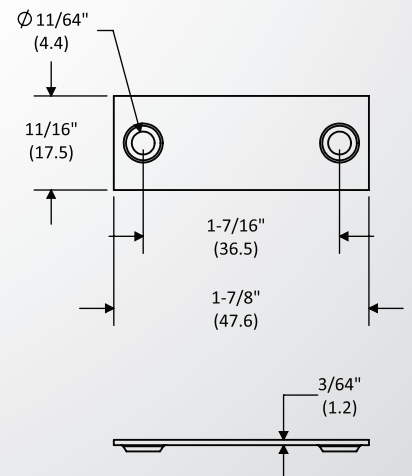
AUSTRSOLLIPBRASS



AUSTRSLOTLIP125

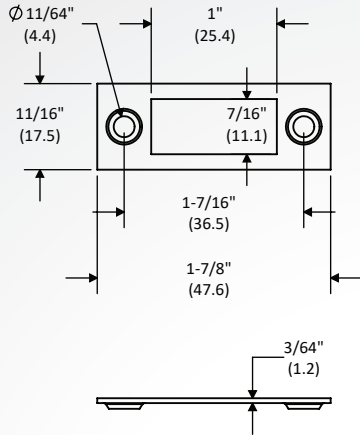
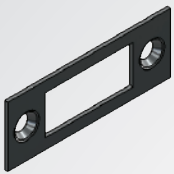


AUSTRSOLNOLIPB

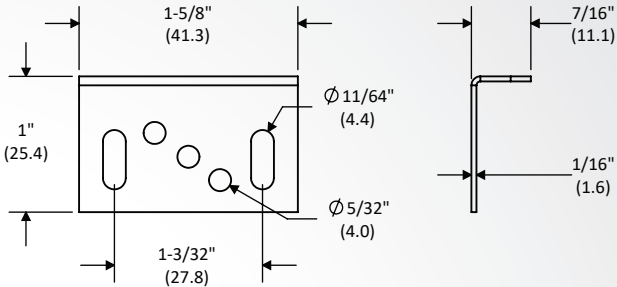
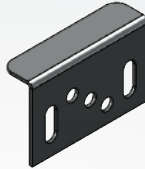


Note: Parenthesis dimensions in (mm)

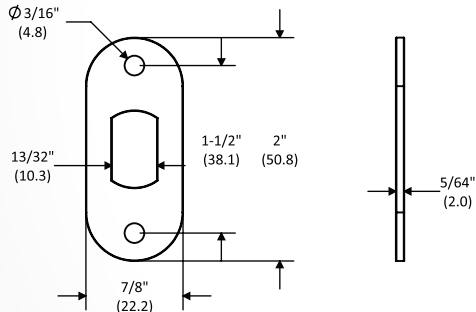
## AUSTRSLOTNOLIPSTEEL



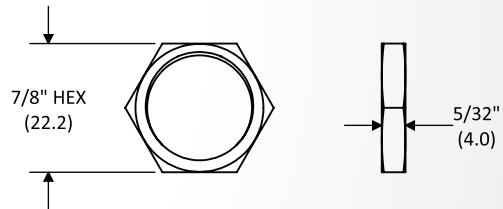
## AUSTRADJL500



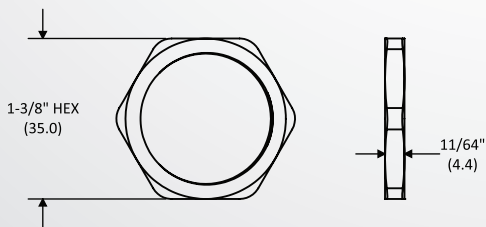
## AUSTRTBOLT



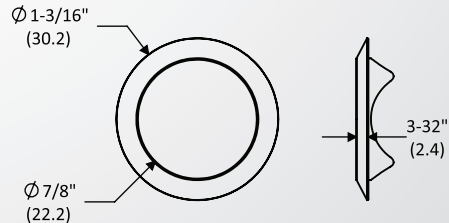
## BRCAMHEXNUT



## CI1375HEXNUT



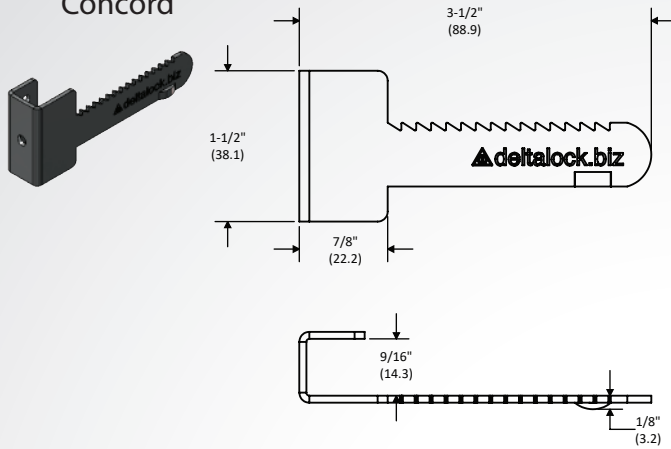
## AUTRIMRING222



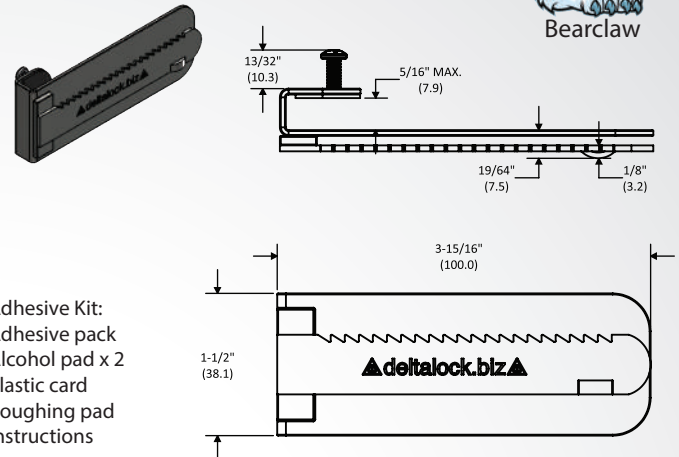
Note: Parenthesis dimensions in (mm)

## RU1250CONCBAR

Concord

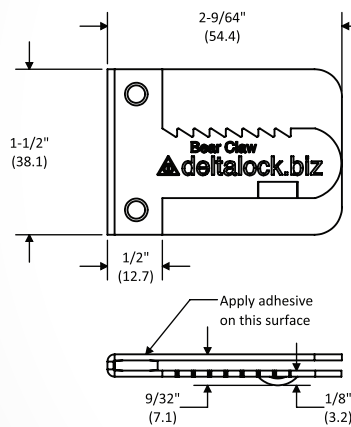
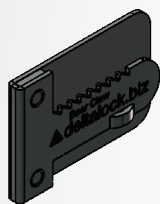


## RU1250ADEXKIT



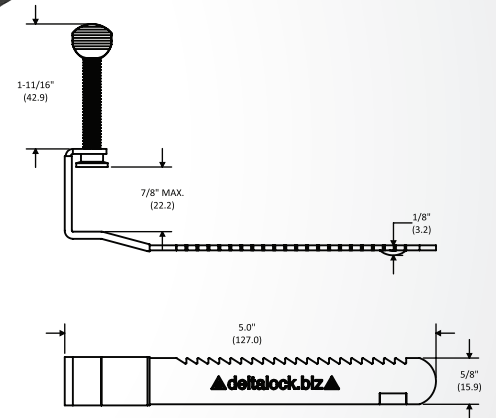
Adhesive Kit:  
Adhesive pack  
Alcohol pad x 2  
Plastic card  
Roughing pad  
Instructions

## RUADHEBASEPLKIT

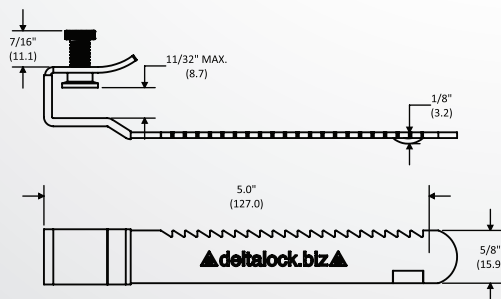


Adhesive Kit:  
Adhesive pack  
Alcohol pad x 2  
Plastic card  
Roughing pad  
Instructions

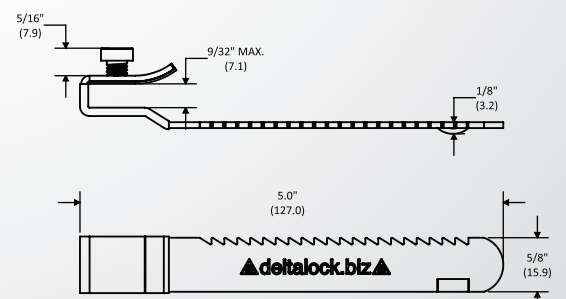
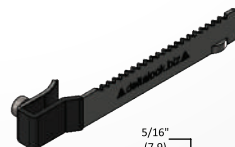
## RU1250ADJBAR2



## RU1250REGBAR3MG315



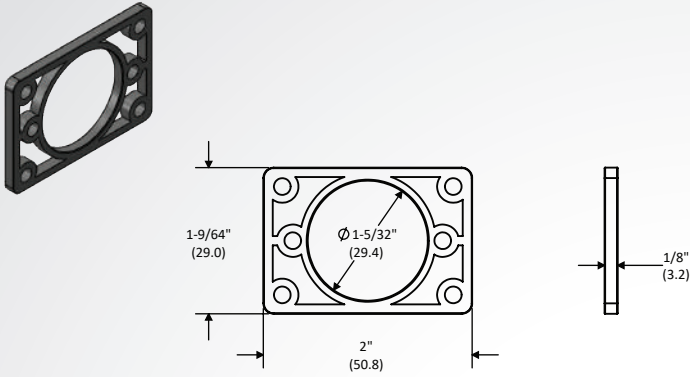
## RU1250REGBAR2MG270KIT



Note: Parenthesis dimensions in (mm)

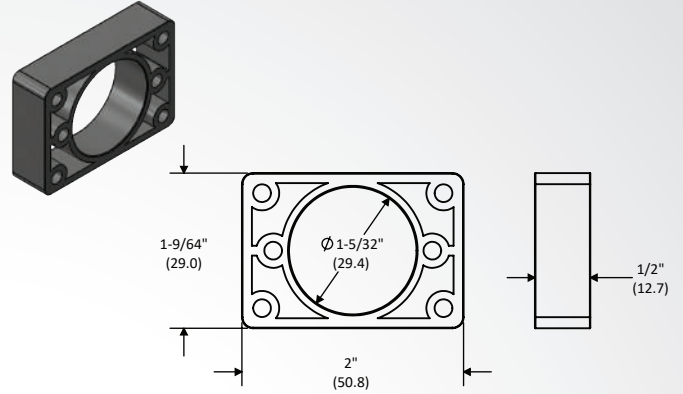


## DIMINISPC0125XX



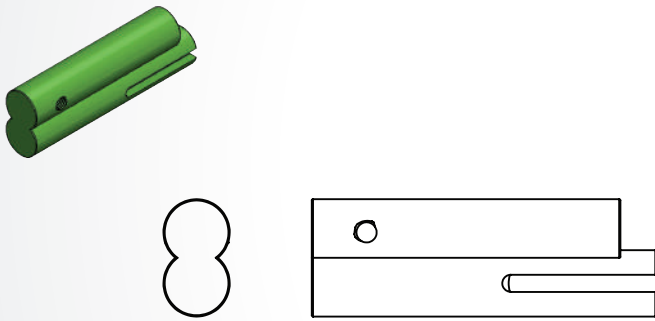
Use with DIMINIX375BCXX1  
See Page IC5

## DIMINISPC0500XX

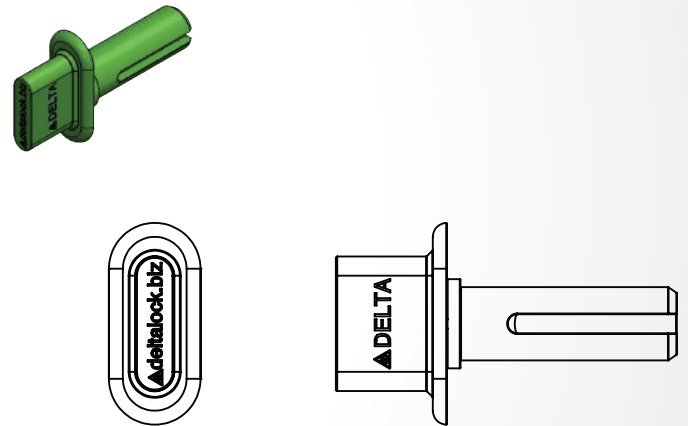


Use with DIMINIX375BCXX1  
See Page IC5

## AIICDRIVERTOOL



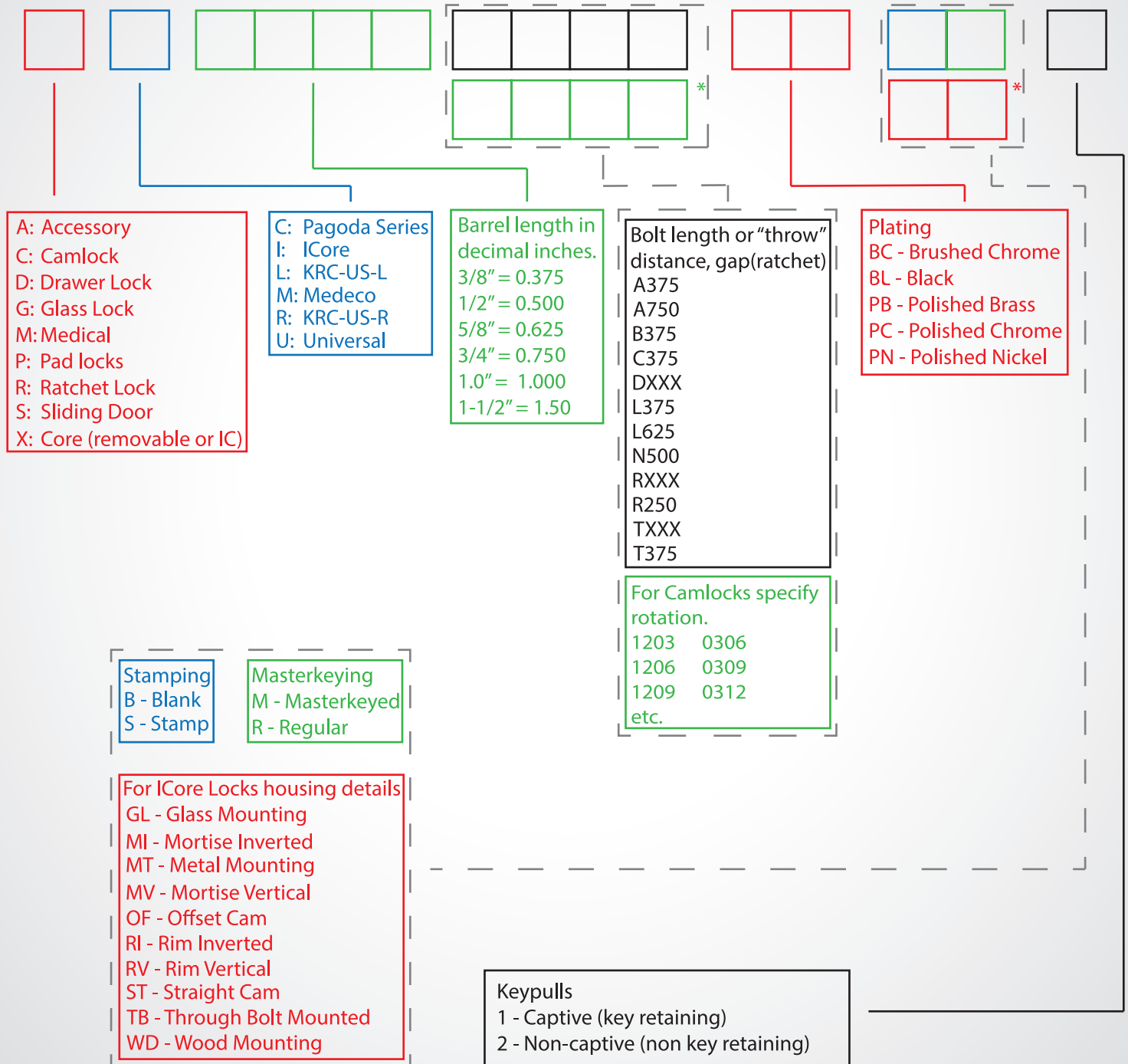
## AIACTUATOR



Note: Parenthesis dimensions in (mm)

Delta general part number breakdown. Most of our part numbers will adhere to this system.

## 15 digit part number:



**Backplate** The back cover of a lock as viewed from the face of a lock. Sometimes doubles as the mounting flange/surface.

**Backset** The distance from the outside face of the outer bolt opening to the center of the keyhole.

**Blank (key blank)** A key that is shaped to the proper keyway but has not been cut or notched to a specific coding to operate a lock.

**Bolt** The part of a lock which provides the fastening or engagement by protruding from the case to engage into a striking surface, striking plate, shackle or other member.

**Bow (key bow)** The part of a key which is held in the fingers when operating the lock.

**Cabinet lock** A generic term to include all locks of any type for use on showcases, cabinets, or other furniture.

**Cam** A bolt that is used with a cylinder type lock (cam lock) and usually rotates with the plug/core.

**Cam lock** A complete locking assembly in the form of a cylinder whose cam is the actual locking bolt.

**Captive** A lock that has only 1 keypull. The key is unable to be removed when the lock is in the open position.

**Closed shackle padlock** A padlock that has a minimum amount of shackle visible for added security against cutting.

**Core** (see Plug)

**Cylinder** Usually the cylinder with inner co-axial plug which houses the pins, or tumblers (wafers) and springs in the cylinder body.

**Cylinder housing** With all component parts removed, this forms the main body or housing of a cylinder.

**Deadbolt** The square-ended bolt of a lock which is moved in both the locking and unlocking directions to provide locking.

**Disc tumblers (Wafers)** The small shaped discs (usually of metal) in the disc tumbler mechanism which are the means of providing different combinations.

**Disc tumbler lock** A cylinder lock having disc instead of pin tumblers.

**Door closer** A device for closing a door or gate automatically after opening.

**Double bitted key** A key that is cut/notched on both sides of the blade/shank.

**Drawer lock** A general term referring to styles of locks designed for use in drawers. Usually of a deadbolt or latch bolt design.

**Face flange (Lock face)** The outer protrusion of a lock that is visible from the mounting surface. Usually in reference to a cam lock.

**Flush bolt** A door bolt which can be recessed flush into the edge or face of a door or a lock body.

**Hasp and staple** A fastening in two pieces for a door or box to be secured by a padlock. The hinged part is called the hasp which is fitted to the door or lid of a box and shuts over the staple, which is on the door frame (or other leaf of a pair of doors).

**Hook cam** A cam bolt with a hook feature that is used to capture a striking surface notch or peg.

**Jamb** The vertical member of a door or window frame.

**Key** A small removable device for operating the mechanism of its own lock.

**Key blank** (see Blank)

**Keycode** A unique series of alphanumeric character which defines a key.

**Keyhole** The opening into which the key enters to operate the lock. It is often referred to as the keyway, particularly in a cylinder mechanism.

**Keypulls** (Keypull location) The position of the key which allows removal.

**Key Retaining** (see Captive)

**Latch (Latch bolt)** Usually a beveled spring-loaded bolt which cannot be mechanically locked into place.

**Lock** A device operated usually, but not always, by a key, having one or more bolts or other members to fasten and secure a door, drawer, or other member.

**Lockable bolt** A bolt that can be shot and locked in position by use of a removable key.

**Long shackle (LS)** A padlock shackle with a greater amount of clearance than the normal standard shackle.

**Lubrication** A substance to be applied to allow smooth movement.

**Master Key** A key which will open every lock in a master keyed system.

**Master Keyed** A lock capable of being operated by a base key as well as 1 or a number of master keys.

**Mortise** A hole or recess cut into a part, designed to receive a corresponding projection (a tenon) on another part so as to join or lock the parts together.

**Mortise lock** A lock designed such that its intended installation requires a mortised part.

**Non-Captive** A lock that has more than 1 keypull (usually 2 but it's possible to have more). The key can be removed when the lock is in the open position.

**Non-Key Retaining** (see Non-Captive)

**Padlock** A portable locking device. The locking member is a circular hinged sliding or swiveled shackle which passes through a hole in a staple, locking bar, or similar member.

**Plug (Core)** The part of a lock cylinder into which the key enters and turns.

**Rim lock** A lock or latch that is fitted by screwing on to the inside face of the installation surface (door / drawer).

**Shackle** The hinged, sliding, or swiveling loop shaped member of a padlock.

**Shoot (of bolt)** The distance a spring bolt moves under the action of its spring.

**Spring shackle padlock** A padlock, the shackle of which springs open when unlocked, and is locked by snapping to.

**Spring bolt** (see Latch bolt)

**Staple** Part of a hasp and staple for use with a padlock. The padlock shackle passes through the eye or hole in the staple.

**Striking plate (Strike)** It is a fixed metal plate with a surface of hole into which a bolt will engage.

**Throw (Bolt throw)** The distance a deadbolt moves retracting when open and extruding when locking.

**Thumb turn** A knob or handle which is gripped between thumb and finger to operate the lock.

**Wafers** (see Disc tumblers)